

# 5 TIER HL7.2, WITH CASTERS- PARTS LIST

TOP SECTION



4TH TIER SECTION



FRONT FLOOR SECTION

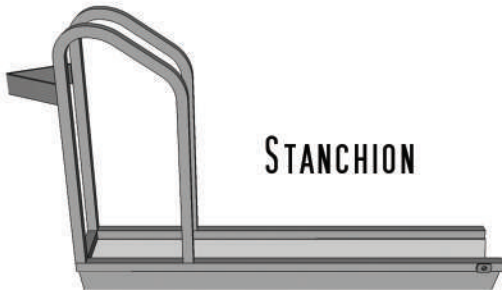


32" CASTER BAR



## HARDWARE

- 38 - 5/16" x 1/2" BOLTS
- 16 - 5/16" WASHERS
- 6 - 3/8" PLAIN NUTS
- 6 - 3/8" LOCK WASHERS
- 5 - 1/4" x 3/8" SET SCREWS
- 12 - 1" BLACK PLUGS
- 10 - 1/2" BLACK PLUGS
- 1 - RUDY RACK STICKER

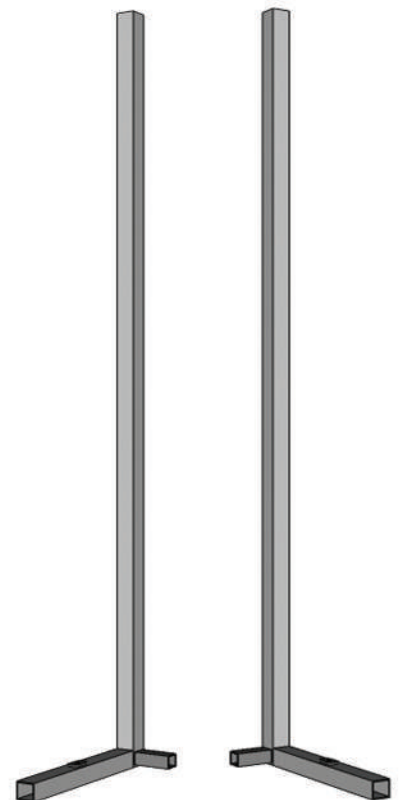


STANCHION



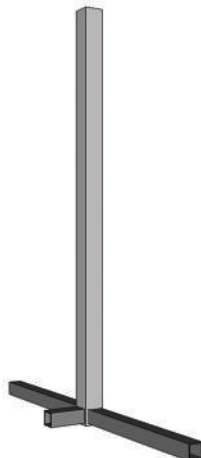
TIRE CATCH

5TH TIER LEGS



L BRACKET

DOUBLE LEGS



4TH TIER LEG

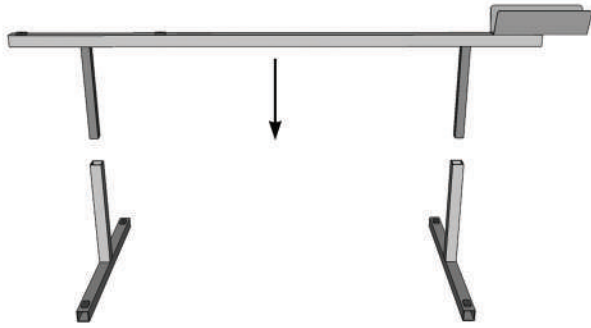


CENTER LEGS



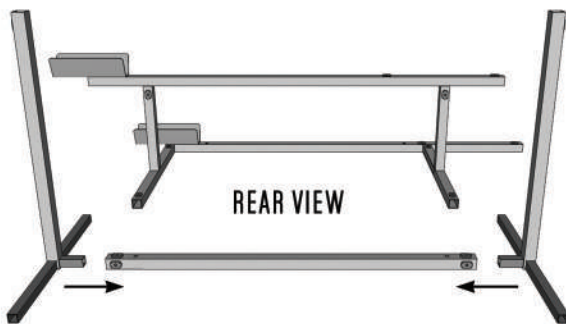
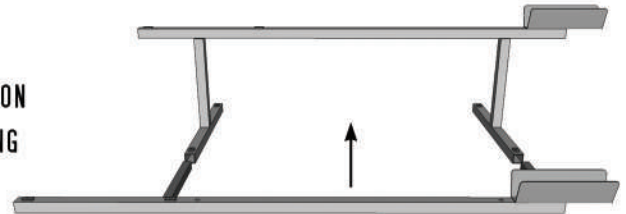
CASTER

# 5 TIER HL7.2 WITH CASTERS - ASSEMBLY INSTRUCTIONS



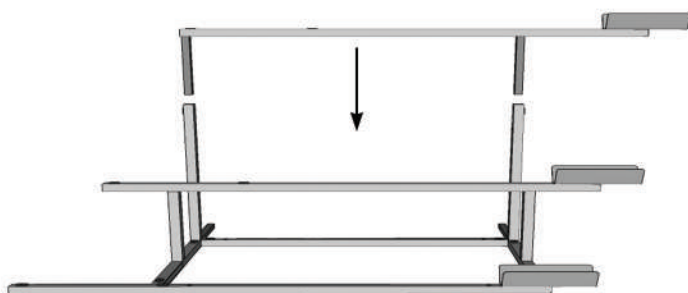
1.  
LOCATE THE (2) CENTER LEGS AND ONE OF THE 4TH TIER SECTIONS. SLIDE THE EARS ON THE 4TH TIER SECTION INTO THE CENTER LEGS. AS SHOWN IN THE DIAGRAM TO THE LEFT. SECURE USING 5/16" x 1/2" BOLTS.

2.  
LOCATE THE FRONT FLOOR SECTION. SLIDE THE EARS ON THE FRONT FLOOR SECTION INTO THE CENTER LEGS. AS SHOWN IN THE DIAGRAM TO THE RIGHT. SECURE USING 5/16" x 1/2" BOLTS.



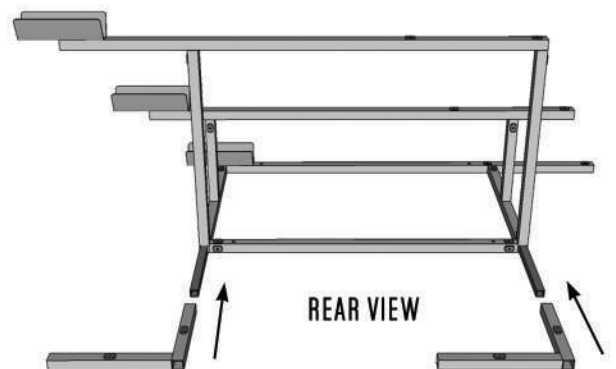
3.  
LOCATE THE DOUBLE LEGS AND THE 32" CROSSBAR. SLIDE THE CROSS BAR OVER THE SMALL EARS ON THE DOUBLE LEGS. AS SHOWN IN THE DIAGRAM TO THE LEFT. SECURE TIGHTLY USING 5/16" x 1/2" BOLTS.

4.  
NEXT TAKE THE DOUBLE LEG/CROSSBAR ASSEMBLY AND SLIDE THE EARS INTO THE REMAINING EXPOSED TUBES OF THE CENTER LEGS. AS SHOWN IN THE DIAGRAM TO THE RIGHT. SECURE USING 5/16" x 1/2" BOLTS.

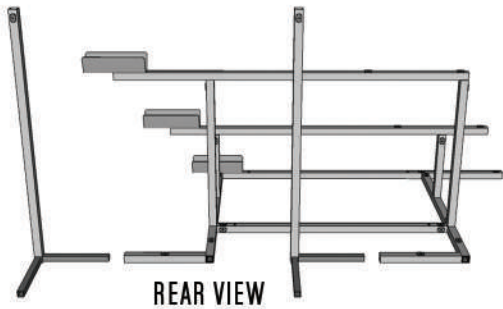


5.  
LOCATE A TOP SECTION AND SLIDE THE EARS INTO THE TOP OF THE DOUBLE LEGS AS SHOWN IN THE DIAGRAM TO THE LEFT. SECURE USING 5/16" x 1/2" BOLTS.

6.  
LOCATE THE (2) "L" BRACKETS. SLIDE THEM OVER THE EARS ON THE DOUBLE LEGS. AS SHOWN IN THE DIAGRAM TO THE RIGHT. SECURE USING 5/16" x 1/2" BOLTS.

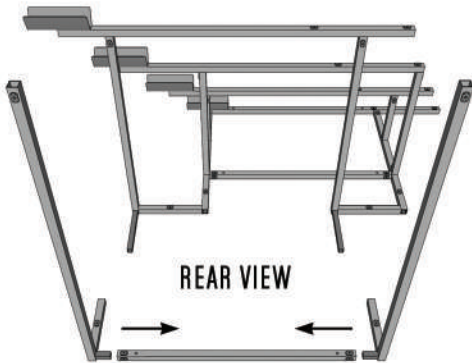
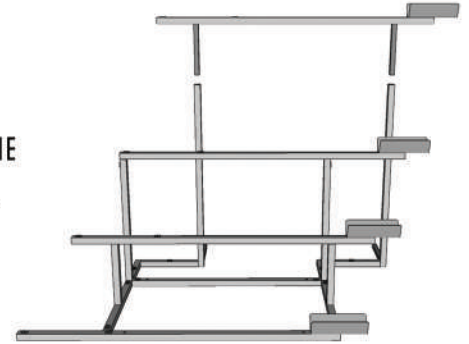


# 5 TIER HL7.2 WITH CASTERS - ASSEMBLY INSTRUCTIONS



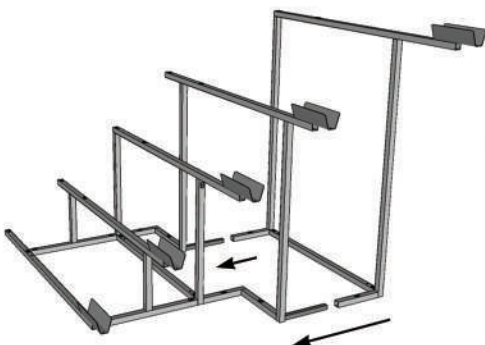
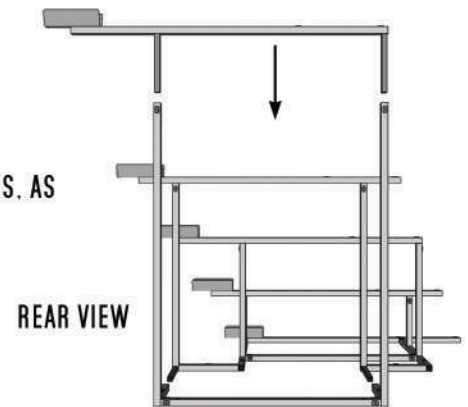
7.  
LOCATE THE (2) 4TH TIER LEGS. SLIDE THE EARS ON THE 4TH TIER LEGS INTO THE CENTER LEGS. SECURE USING 5/16" x 1/2" BOLTS. AS SHOWN IN THE DIAGRAM TO THE LEFT. SECURE USING 5/16" x 1/2" BOLTS.

8.  
LOCATE THE REMAINING 4TH TIER SECTION. SLIDE THE EARS ON THE 4TH TIER SECTION INTO THE 4TH TIER LEGS. AS SHOWN IN THE DIAGRAM TO THE RIGHT. SECURE USING 5/16" x 1/2" BOLTS.



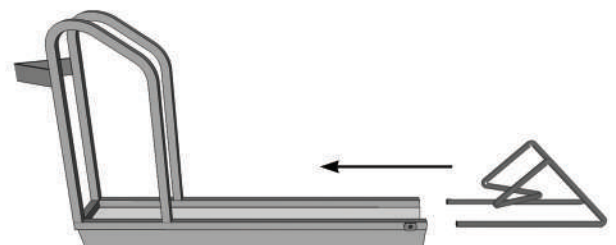
9.  
LOCATE 32" CROSSBAR AND 5TH TIER LEGS (LEFT AND RIGHT). SLIDE THE ENDS OF THE CROSSBAR OVER THE SMALL EARS ON THE 5TH TIER LEGS. SECURE USING 5/16" x 1/2" BOLTS. AS SHOWN IN THE DIAGRAM TO THE LEFT. SECURE USING 5/16" x 1/2" BOLTS.

10.  
TAKE THE REMAINING TOP SECTION AND SLIDE THE EARS INTO THE TOPS OF THE 5TH TIER LEGS. AS SHOWN IN THE DIAGRAM TO THE RIGHT. SECURE USING 5/16" x 1/2" BOLTS.

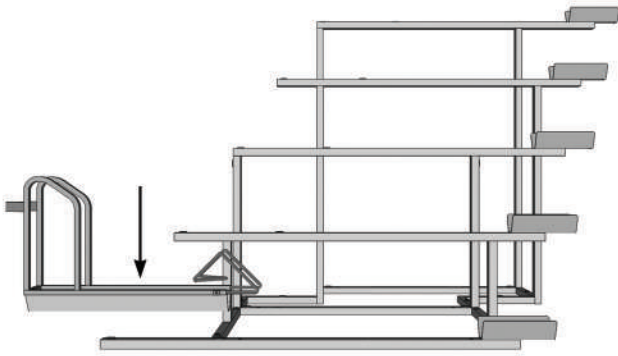


11.  
TAKE THE SUB-ASSEMBLY YOU JUST CONSTRUCTED AND SLIDE IT ONTO THE REST OF THE RACK. AS SHOWN IN THE DIAGRAM TO THE LEFT. SECURE USING 5/16" x 1/2" BOLTS.

12.  
NOW THAT YOUR STRUCTURE IS COMPLETE THE NEXT STEP IS TO PRE-ASSEMBLE THE STANCHIONS AND TIRE CATCHES. SLIDE THE TIRE CATCH ENDS INTO THE BASE TUBE ON THE STANCHIONS AND SECURE USING 1/4" x 3/8" SET SCREWS, AS SHOWN IN THE DIAGRAM TO THE RIGHT.

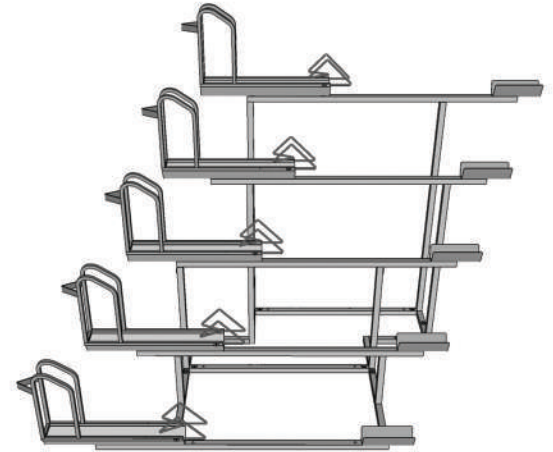


# 5 TIER HL7.2 WITH CASTERS - ASSEMBLY INSTRUCTIONS



13.

NOW TAKE THE PRE-ASSEMBLED STANCHIONS AND SECURE THEM TO YOUR STRUCTURE USING 5/16" x 1/2" BOLTS AND 5/16" WASHERS, AS SHOWN IN THE DIAGRAM TO THE RIGHT.



14.

LOCATE THE (6) CASTERS. GO AROUND YOUR RACK LIFTING UP EACH SIDE AND INSERTING A CASTER INTO THE THROUGH HOLES IN THE CROSSBARS AND FRONT SECTION AND SECURE USING 3/8" LOCK WASHERS AND 3/8" PLAIN NUTS.

15.

YOUR COMPLETED RACK SHOULD NOW LOOK LIKE THE MODEL BELOW. NOW THAT IT IS ASSEMBLED: GO BACK THROUGH THE RACK ADJUSTING IT TO DESIRED SPACING (ADJUSTABLE HEIGHT AND DEPTH) AND SECURE ALL JOINTS IN PLACE TIGHTLY.

FINALLY TAKE THE SUPPLIED BLACK PLUGS AND INSERT THEM INTO ANY REMAINING EXPOSED TUBE ENDS (BACK OF STANCHION AND ENDS OF SECTIONS) TO GIVE YOUR RACK A FINISHED LOOK

