



Designed & Made in the USA



# 2x2

**LOCATE ALL PARTS AND HARDWARE BEFORE BEGINNING RACK ASSEMBLY**

## HARDWARE



1/4" x 3/4" Bolt



1/4" Stopnut



1/4" Washer



Thread Rolling Bolt



1/2 x 1" Plug



1- 1/4" Plug



5/16" x 1/2" Bolt



5/16" x 3/4" Bolt



5/16" x 2" Bolt



5/16" Stopnut



5/16" Washer

## TOOLS

9/16" Wrench

7/16" Wrench

1/2" Wrench

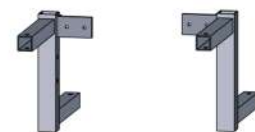
## PARTS



Tray



Stanchion



Upper Supports



Vertical Post A



Vertical Post B



Crossbar



Base



Base Extender A



Base Extender B

## OPTIONAL: (4) Casters



1/4" x 1-3/4" Bolt



1/4" Stopnut

### NOTE:

All Bolts should be torqued to 10 ft.-lbs.

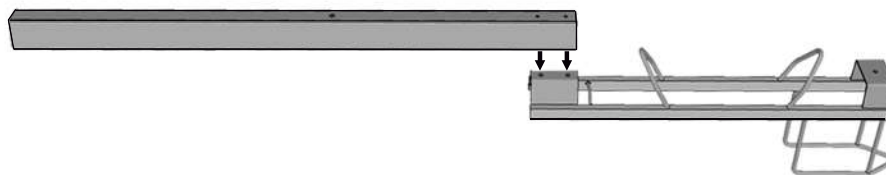
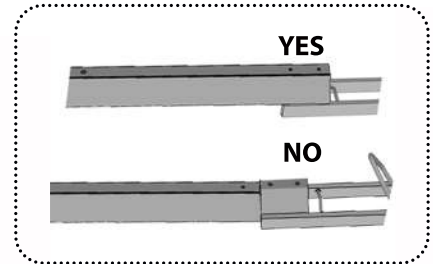
\* All 1/4" Hardware will be 5/16" for Fat Tray Assembly

# STEP 1: Tray Assembly

## NEEDED:

- (4) Trays
- (4) Stanchions
- (4) 1/4" Washers
- (4) 1/4" Stop Nuts
- 7/16" Socket/Wrench
- 1/2" x 1" Black Plugs
- 1/4" x 3/4" Bolts

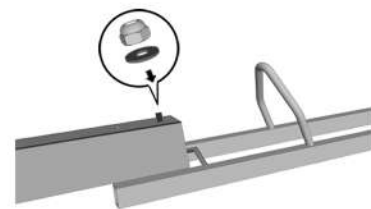
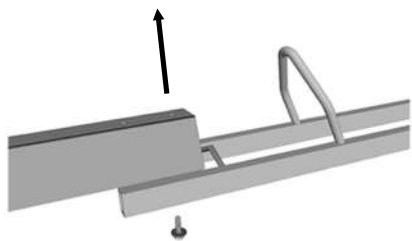
- A** Turn stanchion and tray upside down. Align the two holes on the stanchion with the two holes on the tray.



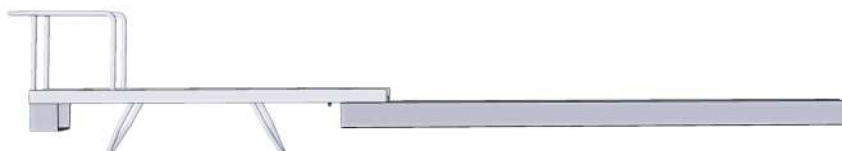
(tray should be on OUTSIDE of stanchion, as shown above)

- B** Place a 1/4" Washer over a 1/4" x 3/4" Bolt and insert into one of the tray assembly holes.

Fasten Bolt and Washer in place using a 1/4" Washer and 1/4" Stop Nut. Tighten using both the 7/16" Socket/Wrench and the 7/16" Wrench.



(Repeat Step 1B for the second tray hole.)



Repeat Steps 1A-B for the remaining trays and stanchions.

**C**

Insert (2) 1/2" x 1" Plugs into the front and back of each tray assembly, as shown.

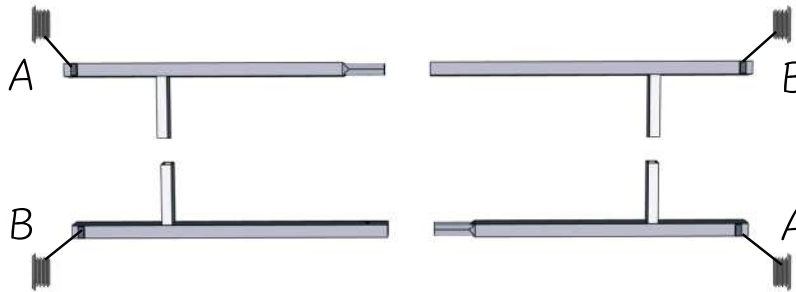
## STEP 2: Bottom Tier Assembly

### NEEDED:

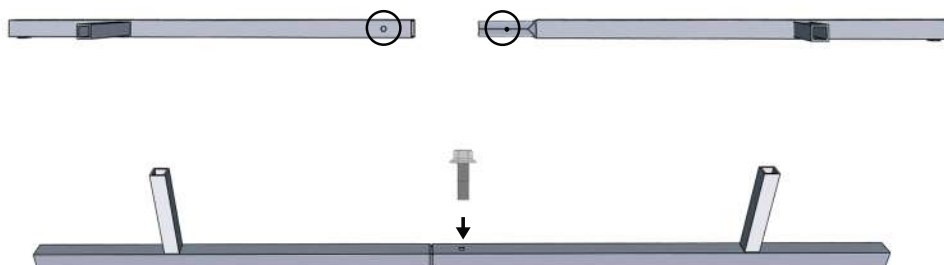
- (2) Bases      - Rolling Thread Bolts      - (2) Tray Assemblies      - 1/2" x 1" Black Plugs
- (2) Base Extender A      - 5/16" x 1/2" Bolts      - 1/2" Socket/Wrench
- (2) Base Extender B      - 1/4" x 3/4" Bolts      - 7/16" Socket/Wrench

**A**

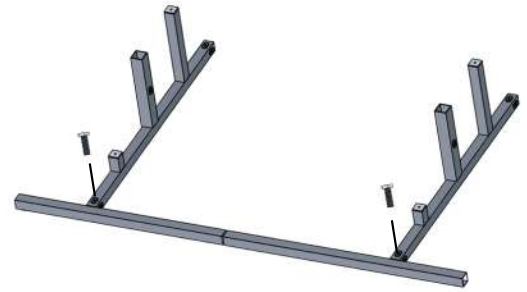
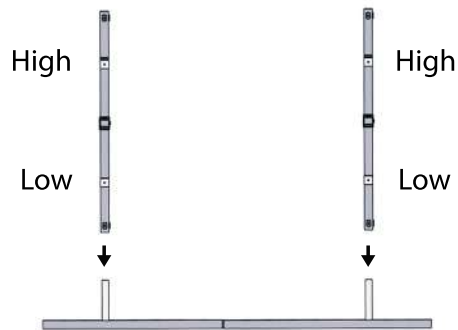
Turn over the 4 Base Extenders and insert 1/2" x 1" Plugs into the holes. These will be the "feet."

**B**

Connect each Base Extender A to a Base Extender B to assemble two Base Extenders. Insert a Thread Rolling Bolt, as shown and tighten it while applying steady downward pressure, allowing the bolt to form its own threads as it turns.



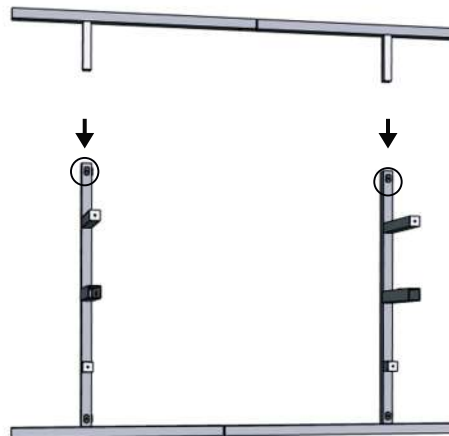
- C** Insert the Bases into one of the Base Extenders, facing the **same direction**. Push Bases completely flush with the Base Extender.



Secure by hand-tightening 5/16" x 1/2" Bolts into the fronts of the Bases.

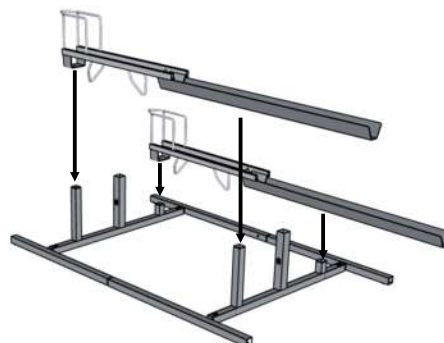
**\* All bolts that are hand tightened in Steps 2-3 are fully secured in Step 4\***

- D** Fully insert the remaining Base Extender: secure by hand-tightening 5/16" x 1/2" Bolts.



- E** Set a Tray Assembly on the top of the short and long uprights of the Bases, aligning the Tray holes with the holes of the Base Uprights.

Fasten each Tray Assembly by finger-tightening 5/16" x 3/4" Bolts and 5/16" Washers.

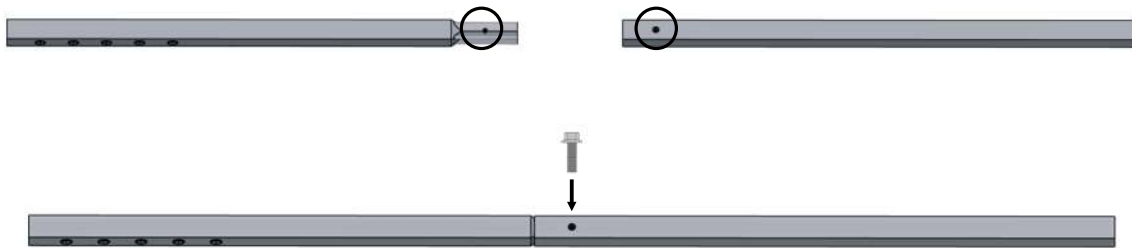


## STEP 3: Top Tier Assembly

### NEEDED:

- (2) Vertical Post A      - (2) Upper Supports      - 5/16" Washers
- (2) Vertical Post B      - 5/16" x 1/2" Bolts          - 5/16" Stop Nuts
- (2) Tray Assemblies      - 5/16" x 3/4" Bolts          - 1/2" Socket/Wrench

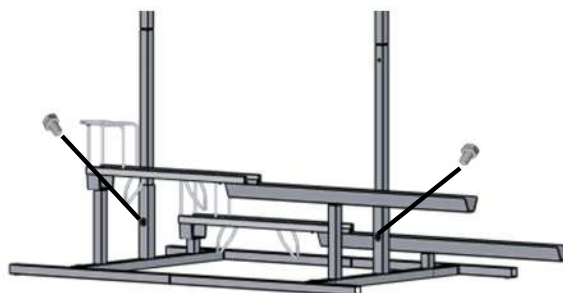
- A** Connect Vertical Posts A to Vertical Posts B by inserting them together and securing each with a Thread Rolling Bolt. Tighten the bolts firmly while applying constant downward pressure, allowing the bolt to create its own threads as it turns.



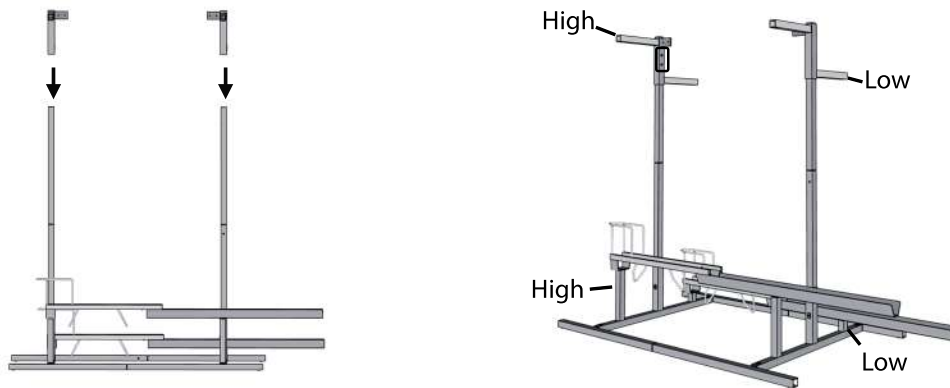
- B** Insert the assembled Vertical Posts into the middle uprights of the Bases, making sure the Rivet Nuts are positioned at the top and facing each other.



- C** Secure the Vertical Posts to the Bases by hand-tightening 5/16" x 1/2" Bolts, as shown.

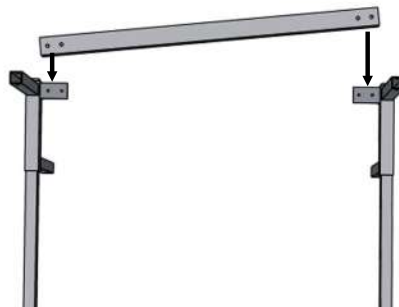


- D** Find the Upper Supports and position each one on top of a Vertical Post with the ear facing inward. Align with the same two rivet nuts on both sides for attachment.

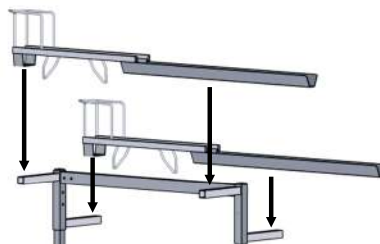


Hand-tighten 5/16" x 3/4" Bolts and 5/16" Washers to secure them in place. This allows for play when the Crossbar is attached to the supports.

- E** Find the Crossbar and insert it into the ears of the Upper Supports. Align the holes in the Crossbar with those in the Supports, then hand-tighten 5/16" x 3/4" Bolts and 5/16" Washers to secure it.



- F** Place the (2) remaining Tray Assemblies on the top of the Upper Supports. Secure by placing a 5/16" Washer over a 5/16" x 2" Bolt and attaching with a 5/16" Washer & Stopnut.



## STEP 4: Final Details

### NEEDED:

- 1-1/4" Black Plugs - All Sockets/Wrenches

- A** Insert 1-1/4" Plugs into exposed frame ends, as shown.



- B** Tighten and secure all bolts in the rack.



#### BEFORE LOADING BIKES:

It is recommended that the rear derailleur is set on the middle cog and the front derailleur is set on the largest chain ring to prevent chain or derailleur damage.



## Optional Step: Caster Attachment

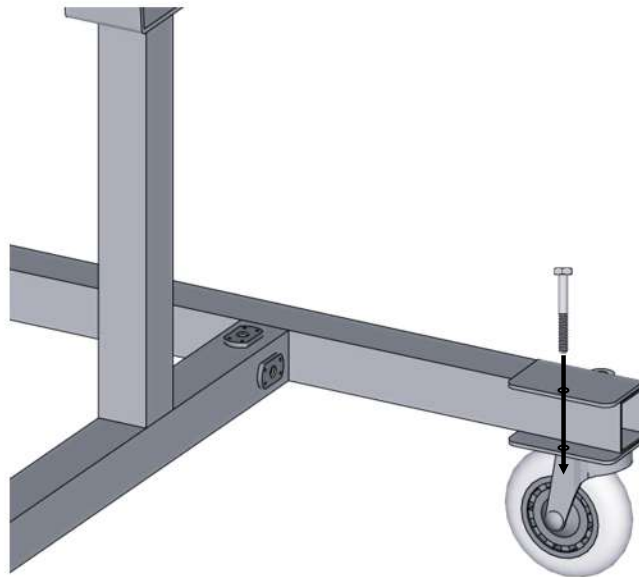
### NEEDED:

- (4) Casters - (4) 1/4" x 1-3/4" Bolts - (4) 1/4" Stopnuts - 7/16" Socket/Wrench

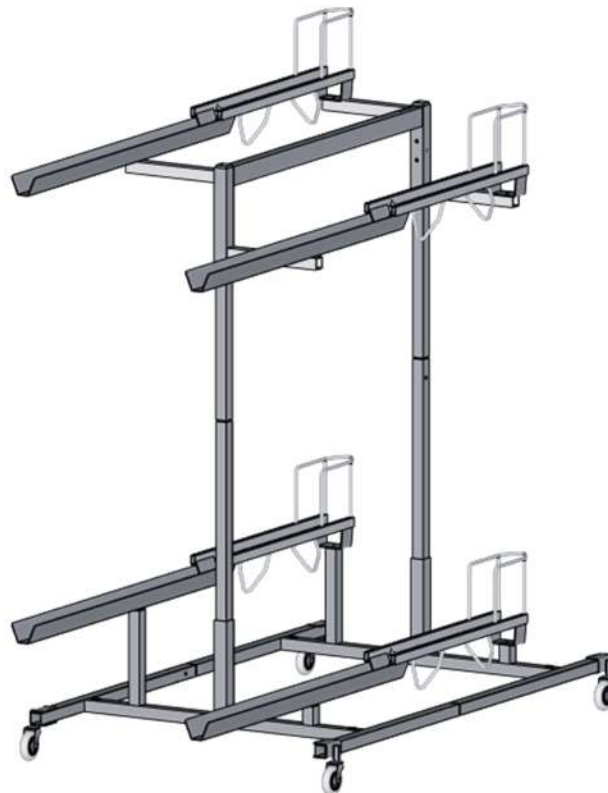
- A** Locate the (4) Casters.



- B** After fully assembling the rack, slide a caster onto both the front and back of the Base Extenders on each side.



Secure each Caster in place with (1) 1/4" x 1-3/4" Bolt and (1) 1/4" Stop Nut, as shown.



*We recommend removing all bikes before relocating your 2x2 rack.*