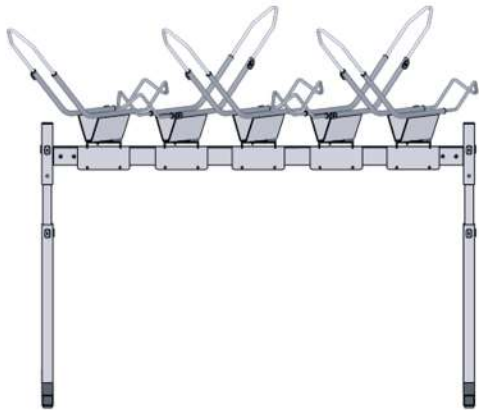




# Stand Up

Recommended Team Members Needed: 1

Designed & Made  
in the USA



Slide



Catch



T-Base



Tray



Angled Catch



Left End Post



Right End Post



Rail

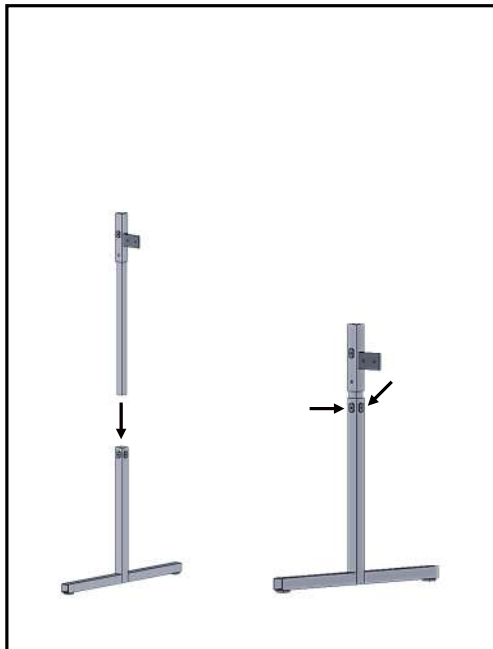


## Tools

- (2) 7/16" Wrenches
- Tape Measure
- 1/2" Wrench

## Hardware & Parts

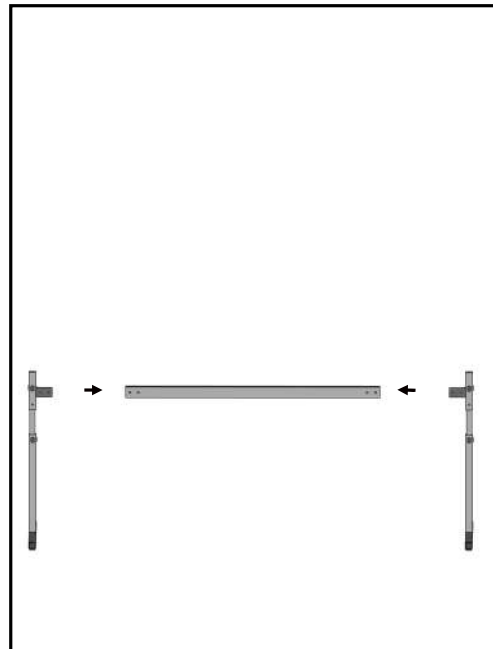
- Left End Post
- 5/16" Knobs
- T-Base
- Right End Post
- 5/16" Bolt
- 5/16" Washer



Locate the **Left End Post**, a **T-Base**, and (2) **5/16"** **Knobs**. Loosely screw the knobs into the T-Base.

Slide the End Post into the T-Base and secure at an estimated starting height with the knobs.

Repeat with the **Right End Post** and the second T-Base.



Slide the ends of the rail over the ears on the end posts. Secure the rail with (4) **5/16 x 1/2"** **Bolts** and **5/16"** **Washers**.



## Hardware & Parts

Tray

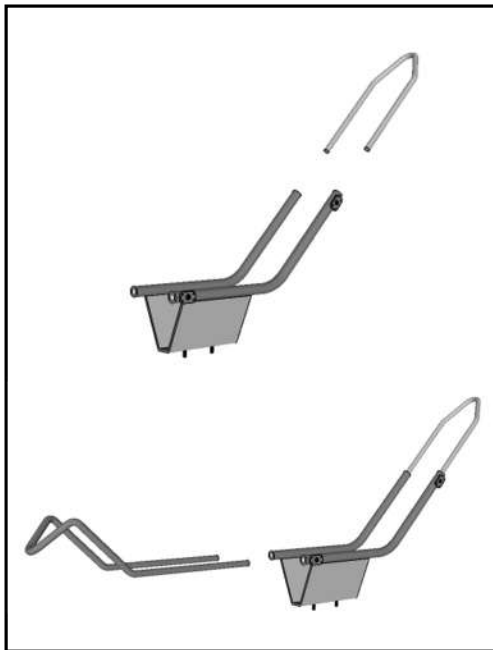
Catch

Angled Catch

1/4" Washer

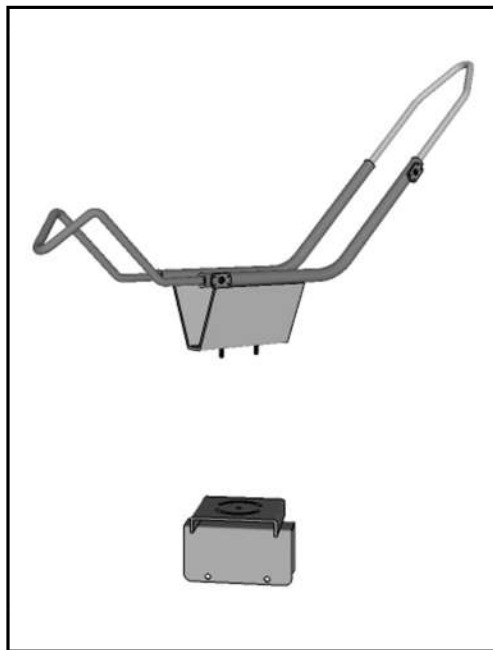
1/4" Stop Nut

1/4" Thumbscrew



Locate a **Tray**, a **Catch**, and an **Angled Catch**. Slide the ends of the catches into the tubes on the Tray. The angle catch should be at the lower end of the Tray.

*Loosely* secure the catches with 1/4" **Thumbscrews**.



Take the tray assembly and set it on top of a **Slide**.

Secure the Tray with a 1/4" **Washer** and 1/4" **Stop Nut** on each pem (screws on the bottom of the Tray).

Repeat steps to complete the rest of your Tray Assemblies.



## Hardware & Parts

1/4 x 1-3/4" Bolts

1/4" Washer

1/4" Stop Nut

1-1/4" Plugs

*There we have it! Bike display elegance. Well done!*

*We and other Rudy Rack customers would love you to see your new Rudy Rack in the WILD!*

*Tag us in a post at @Rudyrackwis and show everyone why you went with Rudy Rack.*



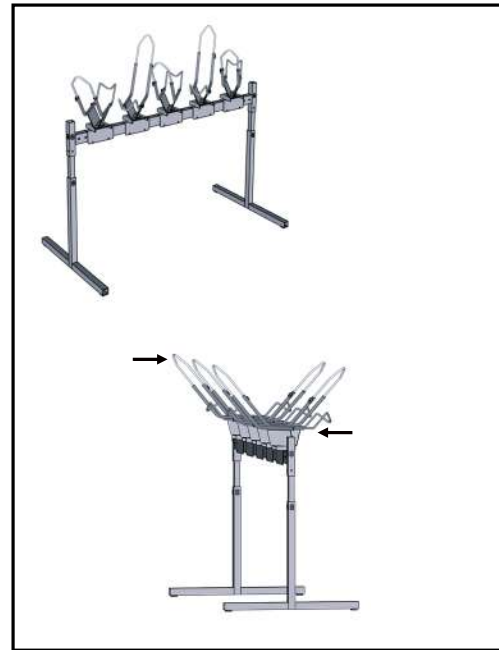
## Cradle Spacing

Rail Length	Cradles	Slide to Slide	Inches from End
47"	3	11.5"	2-3/4"
47"	4	5.75"	2-3/4"
47"	5	2.75"	2-3/4"

Place the completed Tray Assemblies on the Rail using our recommended spacing as directed in the chart above or according to your preference.

Secure each Tray Assembly with (2) 1/4" x 1-3/4" Bolts, 1/4" Washers, and 1/4" Stop Nuts.

**Pro Tip:** Before fully tightening the Tray Assemblies to the rail, place some bikes on there and figure out what angle you like best for the display.



Use the provided **Plugs** to fill the exposed ends of the tubes.

**Loading Bikes:** Center the front wheel over the tray. Adjust the Catch and Angled Catch to be snug against the tire.