



# Kids Stand Up

Recommended Team Members Needed: 1

Designed & Made  
in the USA



Slide



Catch



T-Base



Cradle Tray



Angled Catch



Left End Post



Right End Post



Rail

**Before rack assembly, locate hardware  
& unpack and identify all parts**

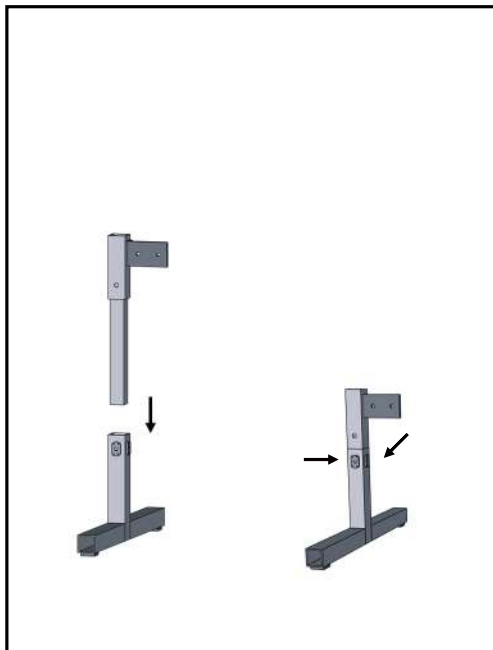


## Tools

- (2) 7/16" Wrenches
- Tape Measure
- 1/2" Wrench

## Hardware & Parts

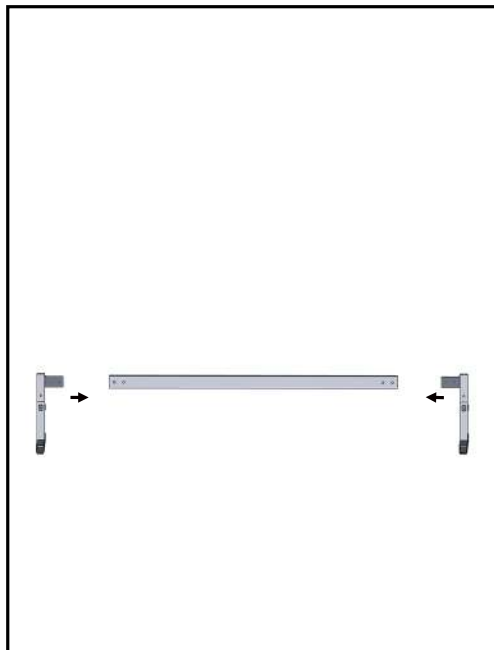
- Left End Post
- 5/16" Knobs
- T-Base
- Right End Post
- 5/16" Bolt
- 5/16" Washer



Locate the **Left End Post**, a **T-Base**, and (2) **5/16" Knobs**. Loosely screw the knobs into the T-Base.

Slide the End Post into the T-Base and secure at an estimated starting height with the knobs.

Repeat with the **Right End Post** and the second T-Base.



Slide the ends of the rail over the ears on the end posts. Secure the rail with (4) **5/16 x 1/2" Bolts** and **5/16" Washers**.



## Hardware & Parts

Tray

Catch

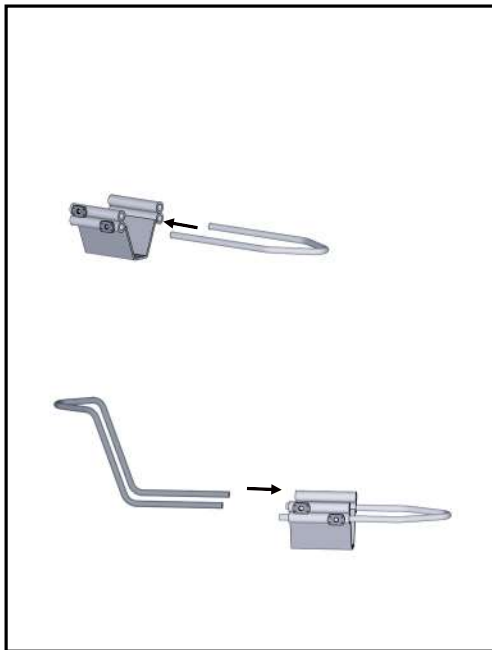
Angled Catch

1/4" Washer

1/4" Stop Nut

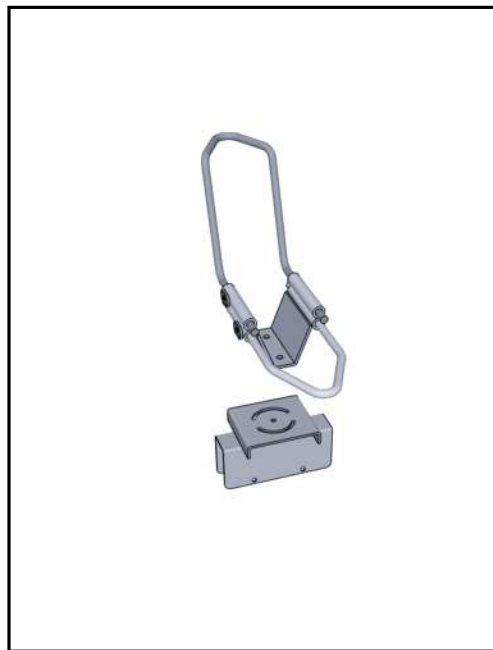
1/4" Thumbscrew

1/4 x 3/4" Bolt



Locate a **Tray**, a **Catch**, and an **Angled Catch**. Slide the ends of the Catch into the bottom open tubes. Loosely secure with a 1/4" Thumbscrew.

Next, slide the ends of the Angled Catch into the top tubes from the opposite side of the Tray and loosely secure with a 1/4" Thumbscrew.



Take the tray assembly and set it on top of a slide. Determine the angle you would like the cradle at and tighten using: (2) 1/4" x 3/4" Bolts, (2) 1/4" Washers and (2) 1/4" Stop Nuts.

Repeat steps to complete the rest of your Tray Assemblies.



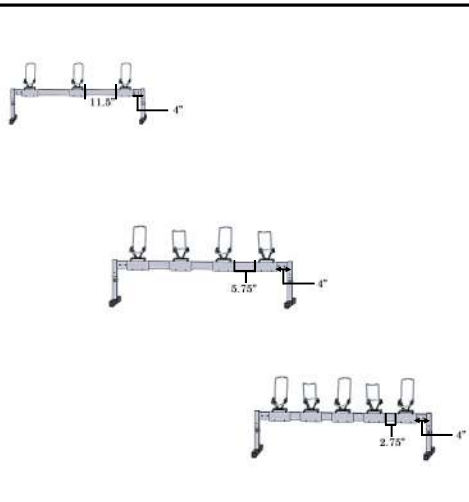
## Hardware & Parts

1/4 x 1-3/4" Bolts  
 1/4" Washer  
 1/4" Stop Nut  
 Plugs

*There we have it! Bike display elegance. Well done!*

*We and other Rudy Rack customers would love you to see your new Rudy Rack in the WILD!*

*Tag us in a post at @Rudyrackwis and show everyone why you went with Rudy Rack.*



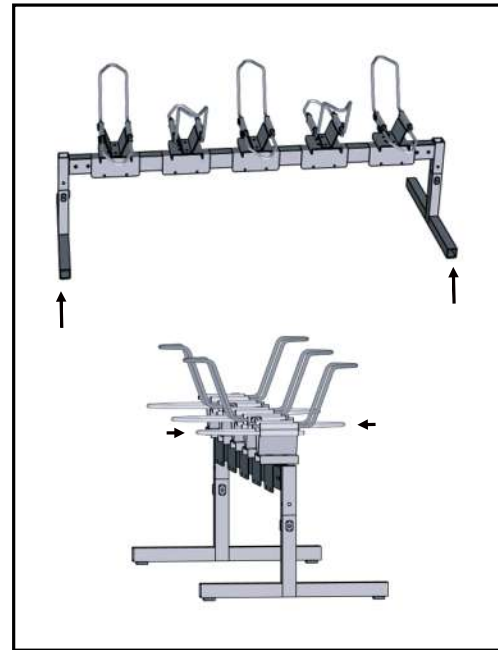
## Cradle Spacing

Cradles	Slide to Slide	Inches from End
3	11.5"	4"
4	5.75"	4"
5	2.75"	4"

Place the completed Cradle Assemblies on the Rail using our recommended spacing as directed in the chart above or according to your preference.

Secure each Tray Assembly with (2) 1/4" x 1-3/4" Bolts, 1/4" Washers, and 1/4" Stop Nuts.

**Pro Tip:** Before fully tightening the Tray Assemblies to the rail, place some bikes on there and figure out what angle you like best for the display. I really like 45 degrees but "you don't have to take my word for it".



Insert the provided plugs into the exposed tubes for a finished look.

Loading Bikes: Center the front wheel over the tray. Adjust the Catch and Angled Catch to be snug against the tire.