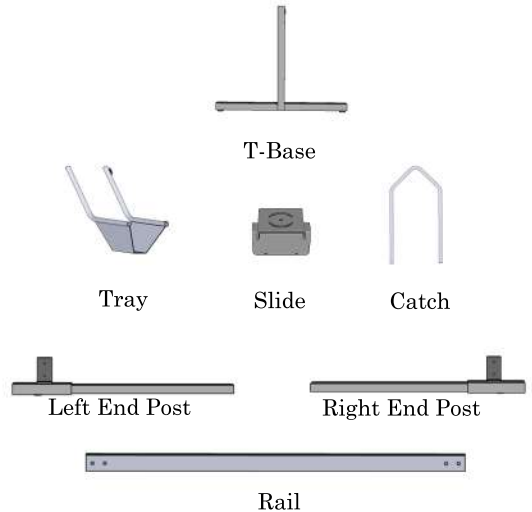
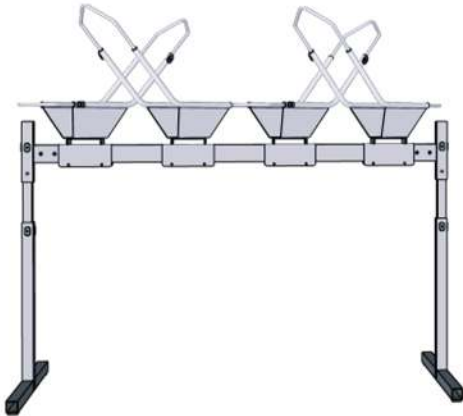




# Fat Stand Up

Recommended Team Members Needed: 1

Designed & Made  
in the USA



**Before rack assembly, locate hardware  
& unpack and identify all parts**

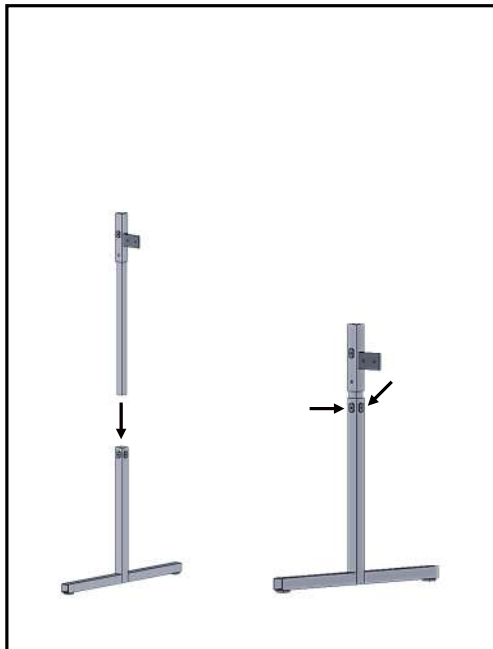


## Tools

- (2) 7/16" Wrenches
- Tape Measure
- 1/2" Wrench

## Hardware & Parts

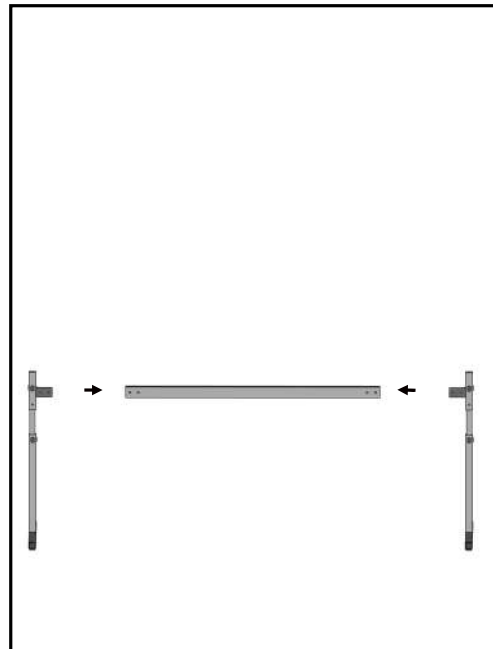
- Left End Post
- 5/16" Knobs
- T-Base
- Right End Post
- 5/16" Bolt
- 5/16" Washer



Locate the **Left End Post**, a **T-Base**, and (2) **5/16"** **Knobs**. Loosely screw the knobs into the T-Base.

Slide the End Post into the T-Base and secure at an estimated starting height with the knobs.

Repeat step one with the **Right End Post** and the second T-Base.



Slide the ends of the rail over the ears on the end posts. Secure the rail with (4) **5/16 x 1/2"** **Bolts** with a **5/16"** **Washer**.



## Hardware & Parts

Tray

Catch

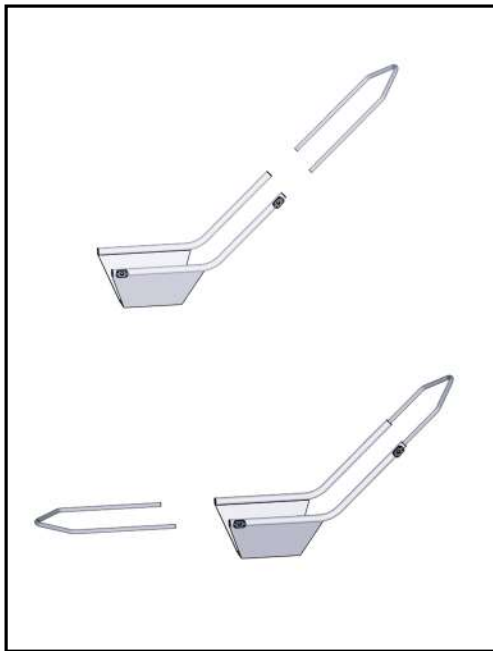
Angled Catch

1/4" Washer

1/4" Stop Nut

1/4" Thumbscrew

1/4" x 3/4" Bolt



Locate a **Tray**, and the **Catches**. Slide the ends of the catches into the tubes on the **Tray**.

*Loosely* secure the catches with 1/4" **Thumbscrews**.



Take the tray assembly and set it on top of a **Slide**.

Secure the **Tray** with 1/4" x 3/4" **Bolts** and 1/4" **Washers**. Determine the angle you would like the **Cradle** at and secure with 1/4" **Washers** and 1/4" **Stop Nuts**.

Repeat steps to complete the rest of your **Tray Assemblies**.



## Hardware & Parts

1/4 x 1-3/4" Bolts

1/4" Washer

1/4" Stop Nut

1-1/4" Plugs

*There we have it! Bike display elegance. Well done!*

*We and other Rudy Rack customers would love you to see your new Rudy Rack in the WILD!*

*Tag us in a post at @Rudyrackwis and show everyone why you went with Rudy Rack.*



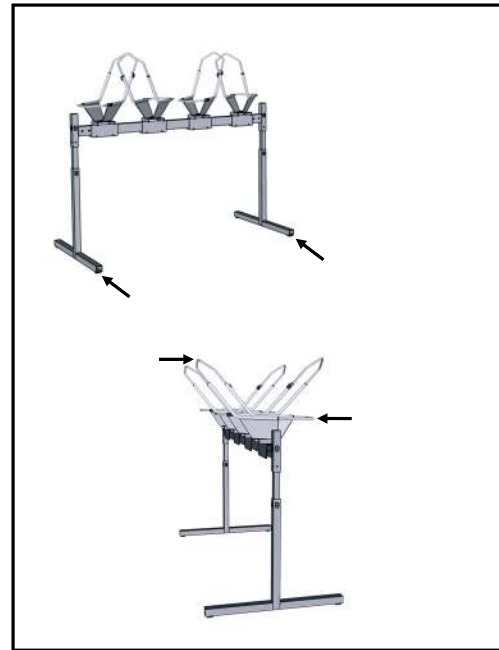
## Cradle Spacing

Rail Length	Cradles	Slide to Slide	Inches from End
47"	2	Your Preference	4"
47"	3	11.5"	4"
47"	4	5.75"	4"

Place the completed Tray Assemblies on the Rail using our recommended spacing as directed in the chart above or according to your preference.

Secure each Tray Assembly with (2) 1/4" x 1-3/4" Bolts, 1/4" Washers, and 1/4" Stop Nuts.

**Pro Tip:** Before fully tightening the Tray Assemblies to the rail, place some bikes on there and figure out what angle you like best for the display.



Use the provided **Plugs** to fill the exposed ends of the tubes.

**Loading Bikes:** Center the front wheel over the tray. Adjust the Catch and Angled Catch to be snug against the tire.