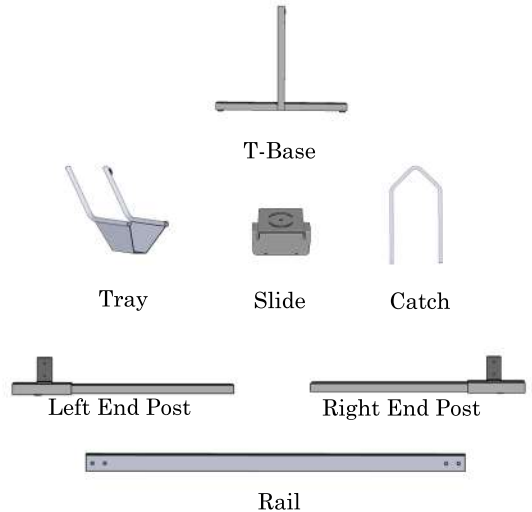
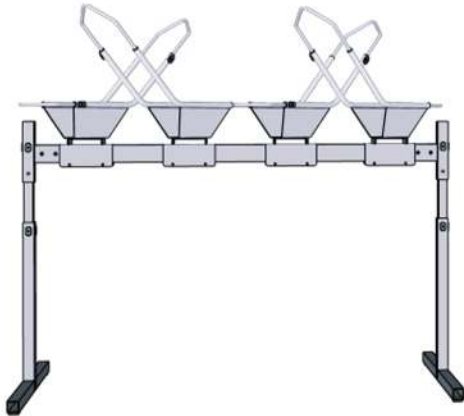




Fat Stand Up

Recommended Team Members Needed: 1

Designed & Made
in the USA



**Before rack assembly, locate hardware
& unpack and identify all parts**

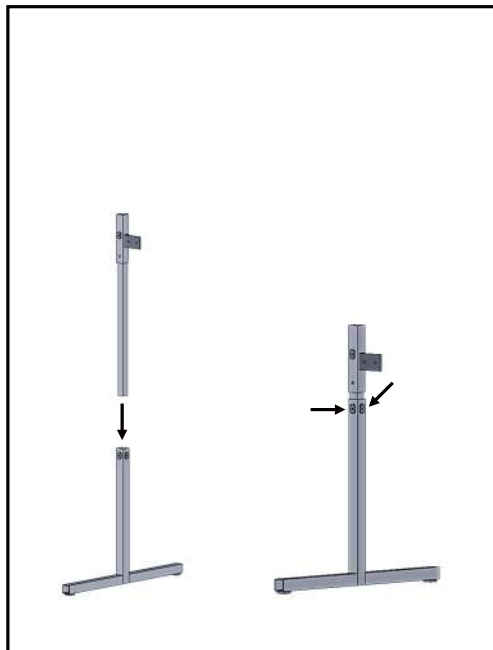


Tools

- (2) 7/16" Wrenches
- Tape Measure
- 1/2" Wrench

Hardware & Parts

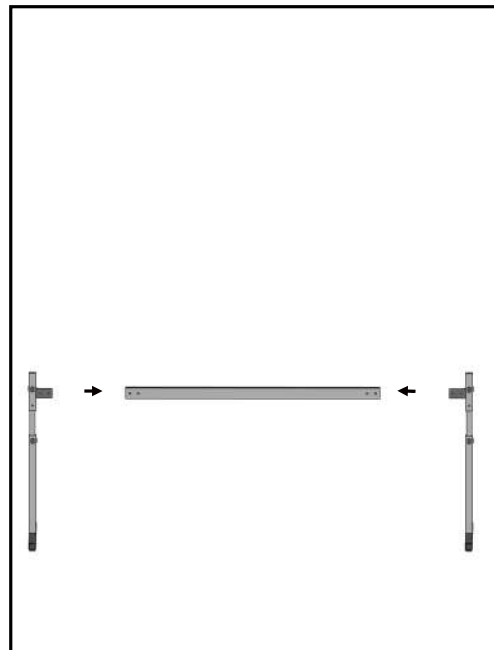
- Left End Post
- 5/16" Knobs
- T-Base
- Right End Post
- 5/16" Bolt
- 5/16" Washer



Locate the **Left End Post**, a **T-Base**, and (2) **5/16" Knobs**. Loosely screw the knobs into the T-Base.

Slide the **End Post** into the **T-Base** and secure at an estimated starting height with the knobs.

Repeat with the **Right End Post** and the second **T-Base**.



Slide the ends of the rail over the ears on the end posts. Secure the rail with (4) **5/16 x 1/2" Bolts** and **5/16" Washers**.



Hardware & Parts

Tray

Catch

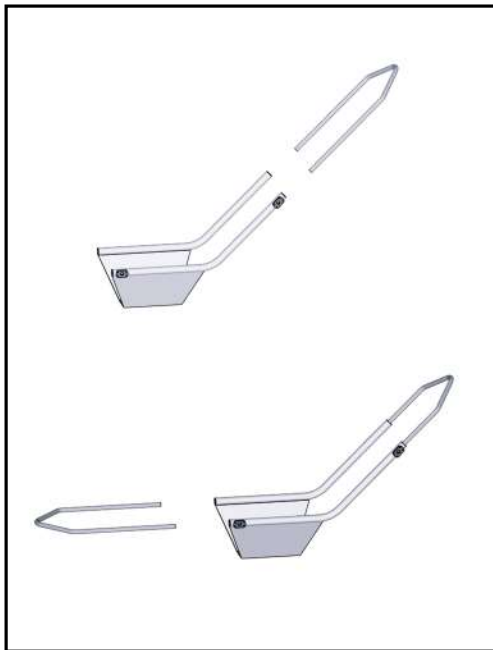
Angled Catch

1/4" Washer

1/4" Stop Nut

1/4" Thumbscrew

1/4" x 3/4" Bolt



Locate a **Tray**, and the **Catches**. Slide the ends of the catches into the tubes on the **Tray**.

Loosely secure the catches with 1/4" **Thumbscrews**.



Take the tray assembly and set it on top of a **Slide**.

Secure the **Tray** with 1/4" x 3/4" **Bolts** and 1/4" **Washers**. Determine the angle you would like the **Cradle** at and secure with 1/4" **Washers** and 1/4" **Stop Nuts**.

Repeat steps to complete the rest of your **Tray Assemblies**.



Hardware & Parts

1/4 x 1-3/4" Bolts

1/4" Washer

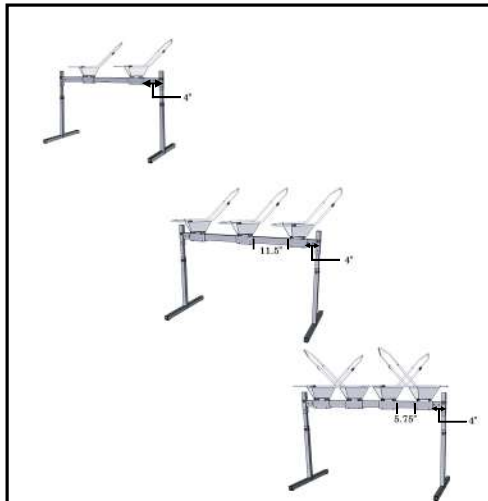
1/4" Stop Nut

1-1/4" Plugs

There we have it! Bike display elegance. Well done!

We and other Rudy Rack customers would love you to see your new Rudy Rack in the WILD!

Tag us in a post at @Rudyrackwis and show everyone why you went with Rudy Rack.



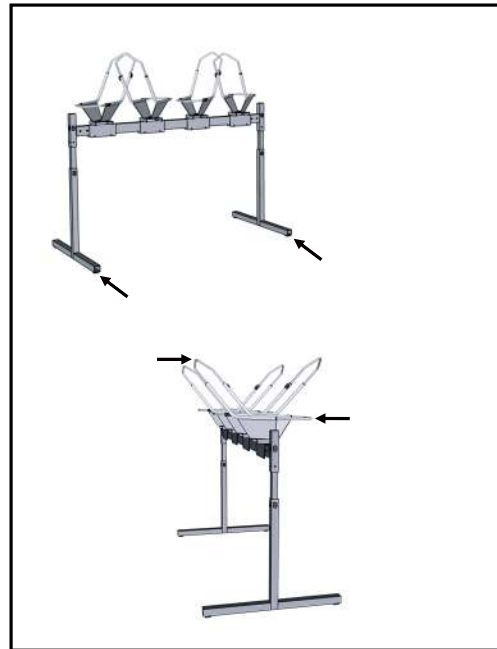
Cradle Spacing

Rail Length	Cradles	Slide to Slide	Inches from End
47"	2	Your Preference	4"
47"	3	11.5"	4"
47"	4	5.75"	4"

Place the completed Tray Assemblies on the Rail using our recommended spacing as directed in the chart above or according to your preference.

Secure each Tray Assembly with (2) 1/4" x 1-3/4" Bolts, 1/4" Washers, and 1/4" Stop Nuts.

Pro Tip: Before fully tightening the Tray Assemblies to the rail, place some bikes on there and figure out what angle you like best for the display.



Use the provided **Plugs** to fill the exposed ends of the tubes.

Loading Bikes: Center the front wheel over the tray. Adjust the Catch and Angled Catch to be snug against the tire.