



**{ RUDY RACK }**

---

ph: 800.434.6442 | [www.rudyrack.com](http://www.rudyrack.com) | [sales@rudyrack.com](mailto:sales@rudyrack.com)

{over 20 years in business}

Whether you are building a new store or remodeling your current one, we offer fixtures for just about every need you may have. From bicycle display and storage racks, slatwall fixtures, racks for specialty items like trailers and recumbents to our accessory racks—we have you covered.

If you don't see exactly what you are looking for in our catalog or on our website, we are happy to work with you on custom projects. Our design and engineering team can provide detailed drawings for your prior approval at no cost to you. Our displays have evolved throughout the years thanks to feedback from our customers, so please share with us any needs or ideas you have!

Rudy Rack | 3201 Dixon Street | Stevens Point, WI 54481



All fixtures are available in a black powder coating, clear coat or iron glimmer



Pick your Color  
minimum order of \$1,500.00

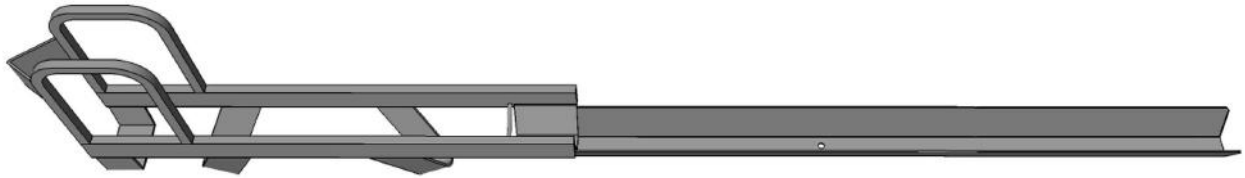
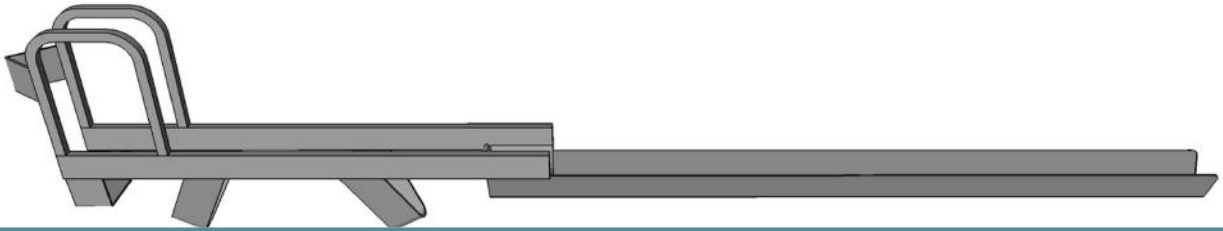
ph: 800.434.6442 | [www.rudyrack.com](http://www.rudyrack.com) | [sales@rudyrack.com](mailto:sales@rudyrack.com)

## {find the perfect racking solution}

super tray	4
straight forward	5 - 6
sloped double decker	7- 8
wall double decker	9- 10
island double decker	11 - 12
kid's straight forward	13 - 14
kid's wall double decker	15 - 16
kid's bike tower	17 - 18
any angle adjustable stand up	19 - 20
fat tire highlighter	21
deluxe spacesavers	22 - 23
3 bike highlighter	24 - 25
5 bike highlighter	26 - 27
double highlighter	28 - 29
cart tower	30 - 31
recumbent trike display	32 - 33
line up rack	34 - 35
adjustable spacesaver	36 - 37
single bike display	38
partner	39
backroom storage unit	40 - 41
multi rack	42 - 43
adjustable pedal	44
helmet display	45
accessory display	46
saddle clip	47
handlebar display	48
fork display	49
frame display	50
double wheel	51
adjustable wheel	52
tire tee	53
stem display	54
wall rack	55
sign holder	56

## {Introducing the Super Tray}

This revolutionary tray design by Rudy Rack will change the way you display bikes. No adjustments needed.



The Super Tray is long and wide enough to accommodate 29ers

The rear and bottom of the new stanchion are tapered in order to tightly hold even the thinnest bike tire

The tray catch has been removed so no adjusting is required

The short stanchion on the Super Tray leaves plenty of room for bikes with fenders

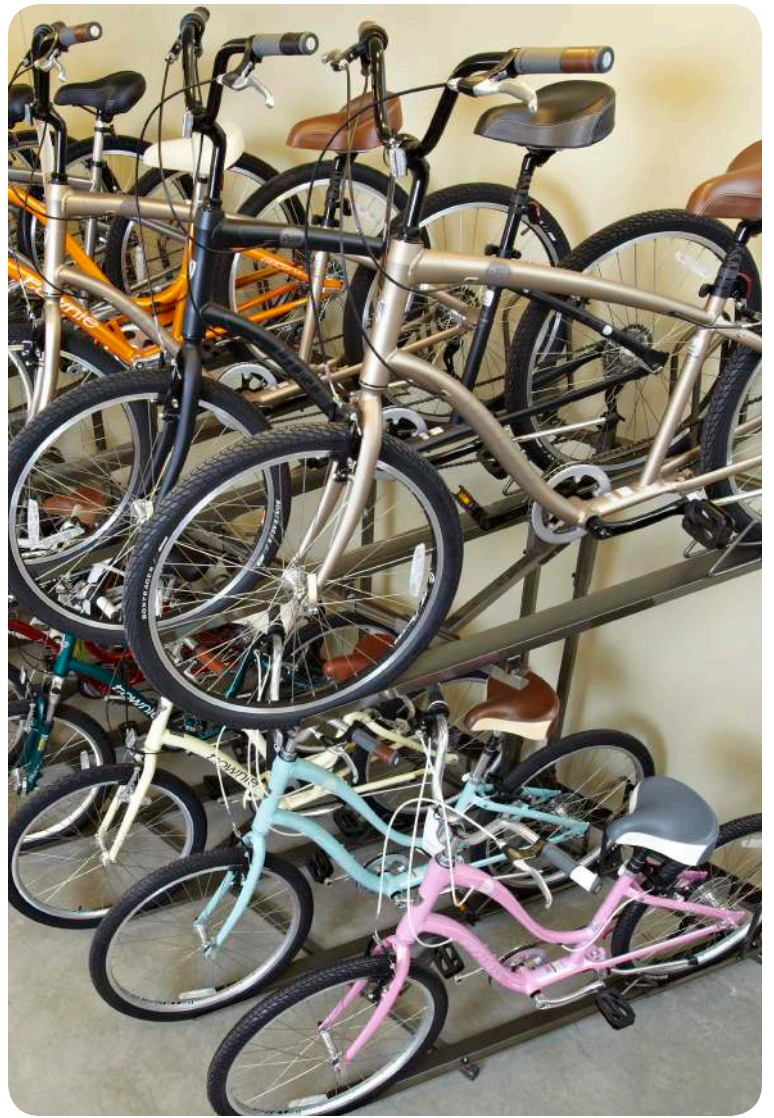
Our wire cam helps keep the bike in place while also making removal easier



Rudy Rack | 3201 Dixon Street | Stevens Point, WI 54481

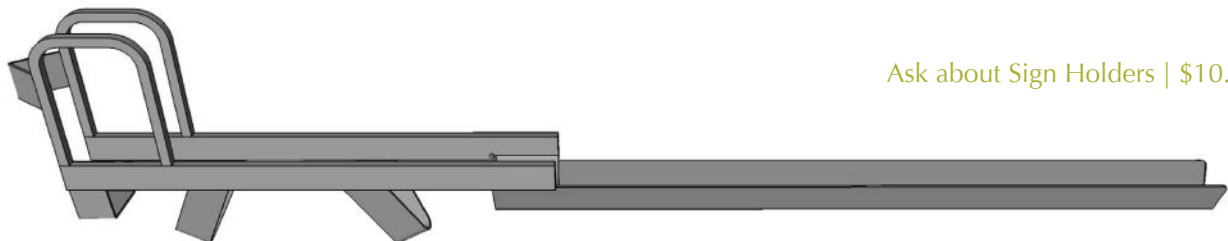
ph: 800.434.6442 | fax: 715.344.6148 | [sales@rudyrack.com](mailto:sales@rudyrack.com)





straight forward

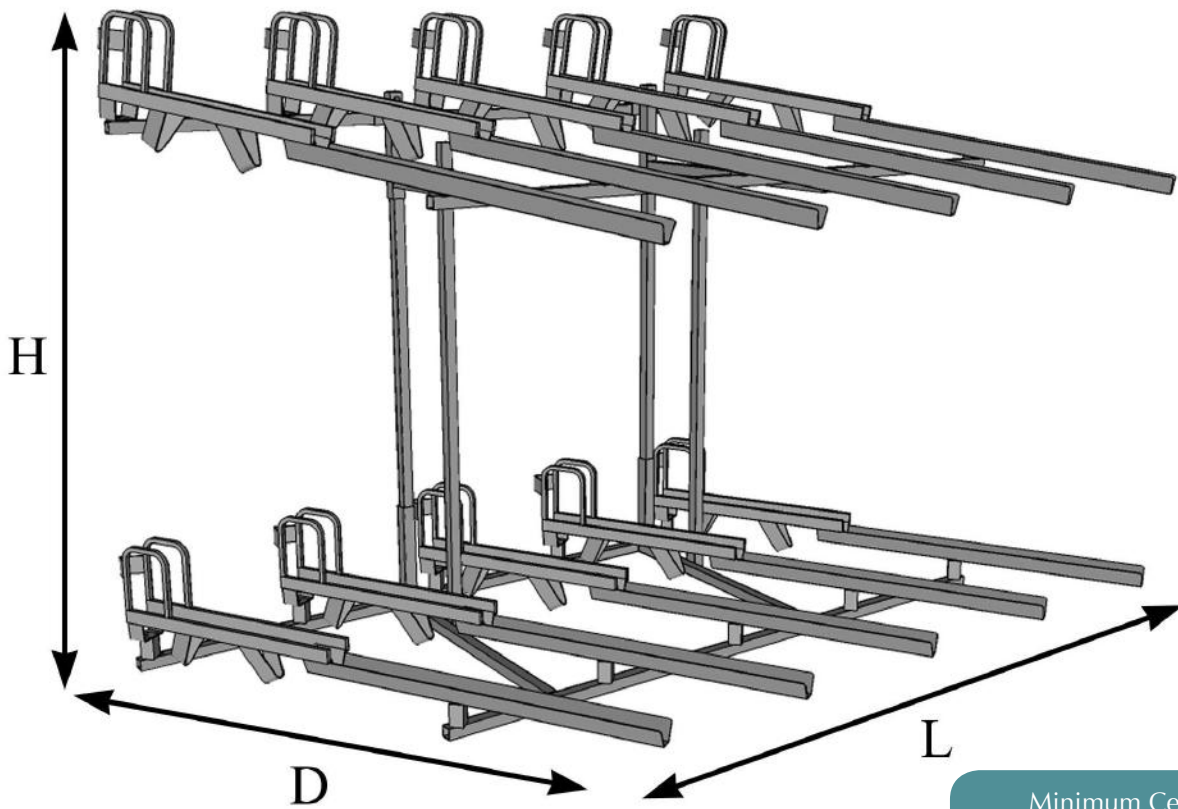
*Design Meets Visibility*



Ask about Sign Holders | \$10.00

L x D	bikes	2-tier	3-tier
6' 5" x 5' 4"	4 bikes per tier	\$ 897.00	\$1346.00
8' 9" x 5' 4"	5 bikes per tier	\$1121.00	\$1681.00
10' 5" x 5' 4"	6 bikes per tier	\$1346.00	\$2018.00
11' 9" x 5' 4"	7 bikes per tier	\$1569.00	\$2354.00
13' 5" x 5' 4"	8 bikes per tier	\$1794.00	\$2690.00

straight forward



Minimum Ceiling Requirement is 8'6"







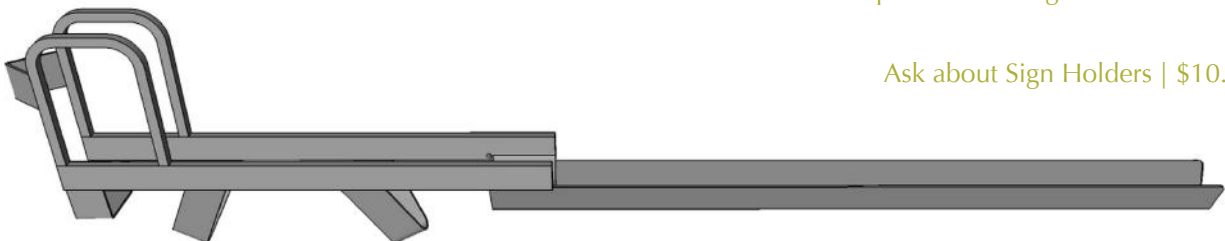
*check out the custom color available with any products*


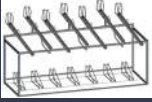

sloped double decker

## { Display with Style }

The amount of bikes this rack will hold is just a suggestion. Quantity may vary upon bikes being used in the rack.

Ask about Sign Holders | \$10.00

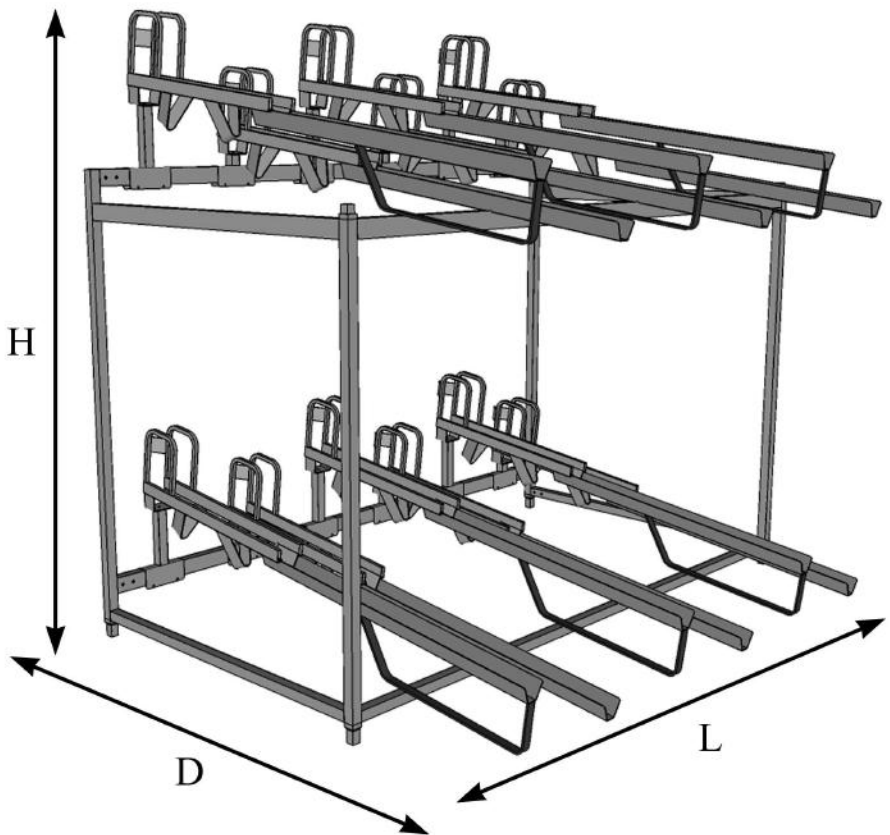


		bikes	starter	add-on	3rd tier
	Trays on 2nd tier only	6 bike	\$ 723.00	\$ 648.00	\$ 648.00
		7 bike	\$ 831.00	\$ 756.00	\$ 756.00
		8 bike	\$ 950.00	\$ 875.00	\$ 875.00
	Trays with Deluxe Spacesavers on floor	12 bike	\$1017.00	\$ 942.00	\$ 648.00
		14 bike	\$1168.00	\$ 1093.00	\$ 756.00
		16 bike	\$1330.00	\$ 1255.00	\$ 875.00
	* Trays on both tiers	12 bike	\$1357.00	\$1282.00	\$ 648.00
		14 bike	\$1583.00	\$1508.00	\$ 756.00
		16 bike	\$1810.00	\$1735.00	\$ 875.00

\*restrictions may apply

**Modular sections let you create the display to fit your store**

**Starter:** a stand alone unit  
**Add-on:** hooks into a starter unit expanding horizontally  
**3rd tier:** requires 13'6" ceiling expands vertically



L x D		
7' 1" x 5' 5"	-----	6 or 12 bike
8' 2" x 5' 5"	-----	7 or 14 bike
9' 3" x 5' 5"	-----	8 or 16 bike

Minimum Ceiling Requirement is 9'0"

Trays alternate high and low





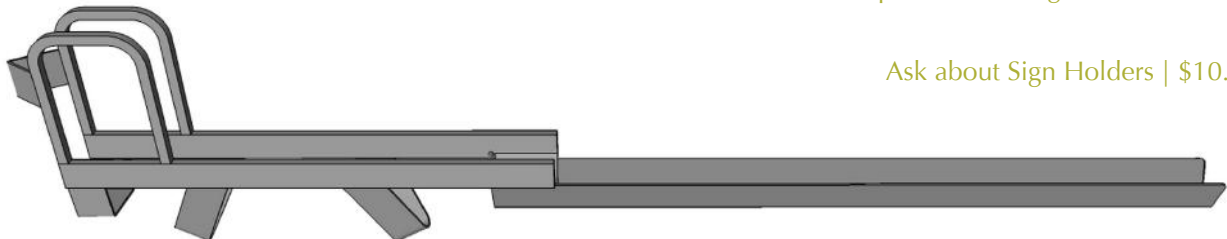


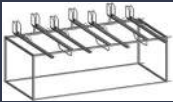
wall double decker

## { Simply Classic }

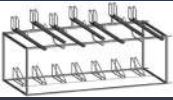
The amount of bikes this rack will hold is just a suggestion. Quantity may vary upon bikes being used in the rack.

Ask about Sign Holders | \$10.00





Trays on 2nd tier only



Trays with Deluxe Spacesavers on floor



\*Trays on both tiers

	bikes	starter	add-on	3rd tier
Trays on 2nd tier only	6 bike	\$ 687.00	\$ 612.00	\$ 612.00
	7 bike	\$ 772.00	\$ 697.00	\$ 697.00
	8 bike	\$ 902.00	\$ 827.00	\$ 827.00
Trays with Deluxe Spacesavers on floor	12 bike	\$ 981.00	\$ 906.00	\$ 612.00
	14 bike	\$1109.00	\$ 1034.00	\$ 697.00
	16 bike	\$1282.00	\$ 1207.00	\$ 827.00
*Trays on both tiers	12 bike	\$1247.00	\$1172.00	\$ 612.00
	14 bike	\$1443.00	\$1368.00	\$ 697.00
	16 bike	\$1646.00	\$1571.00	\$ 827.00

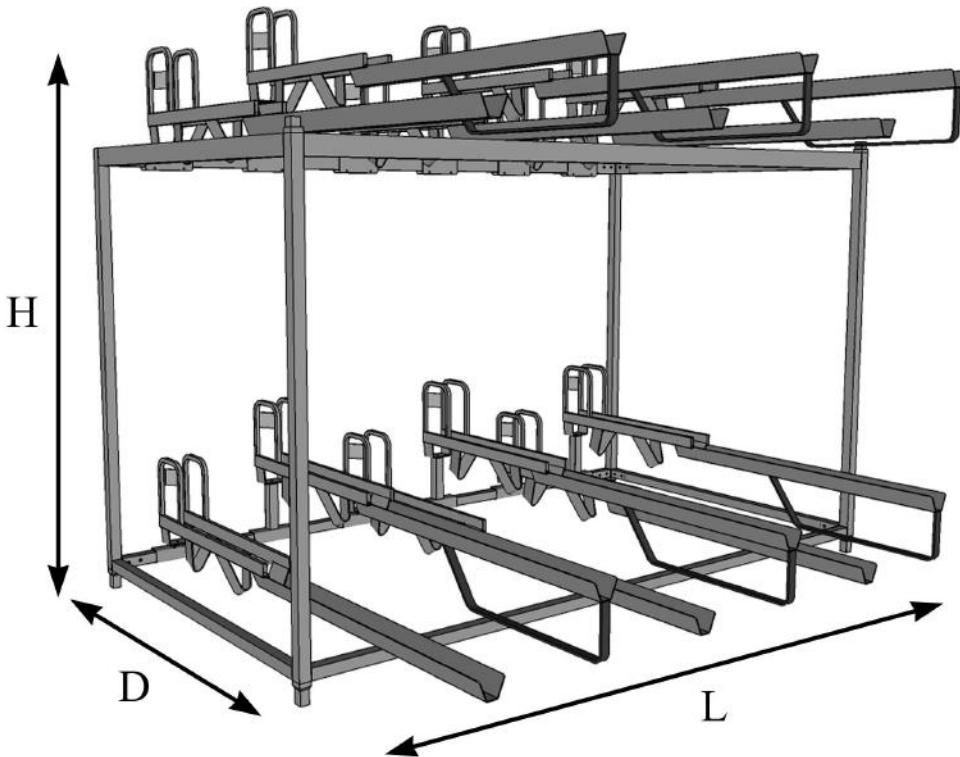
\*restrictions may apply

Modular sections let you create the display to fit your store

**Starter:** a stand alone unit

**Add-on:** hooks into a starter unit expanding horizontally

**3rd tier:** requires 13'6" ceiling expands vertically



L x D	
7' 1" x 5' 6"	----- 6 or 12 bike
8' 2" x 5' 6"	----- 7 or 14 bike
9' 3" x 5' 6"	----- 8 or 16 bike

Minimum Ceiling Requirement is 8'6"

Trays alternate high and low





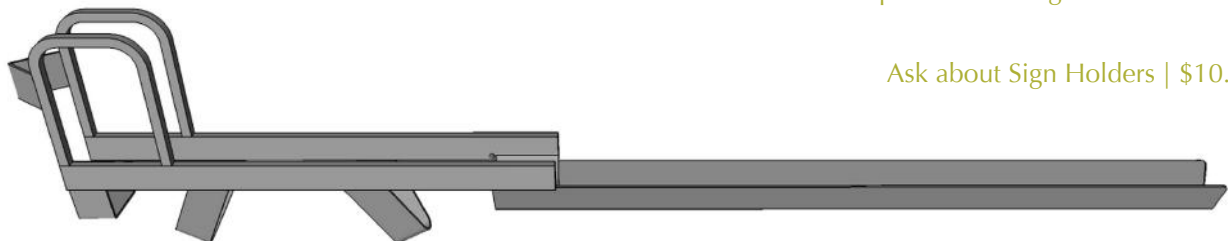





island double decker

{ Space Efficient }

The amount of bikes this rack will hold is just a suggestion. Quantity may vary upon bikes being used in the rack.

Ask about Sign Holders | \$10.00



	bikes	starter	add-on	3rd tier
 Trays on 2nd tier only	12 bike	\$1234.00	\$1159.00	\$1159.00
	14 bike	\$1440.00	\$1365.00	\$1365.00
	16 bike	\$1646.00	\$1571.00	\$1571.00
 Trays with Adj. Spacesavers on floor	24 bike	\$1543.00	\$1468.00	\$1159.00
	28 bike	\$1800.00	\$1725.00	\$1365.00
	30 bike	\$2050.00	\$1983.00	\$1571.00
 * Trays on both tiers	24 bike	\$2468.00	\$2393.00	\$1159.00
	28 bike	\$2880.00	\$2805.00	\$1365.00
	30 bike	\$3291.00	\$3216.00	\$1571.00

\*restrictions may apply

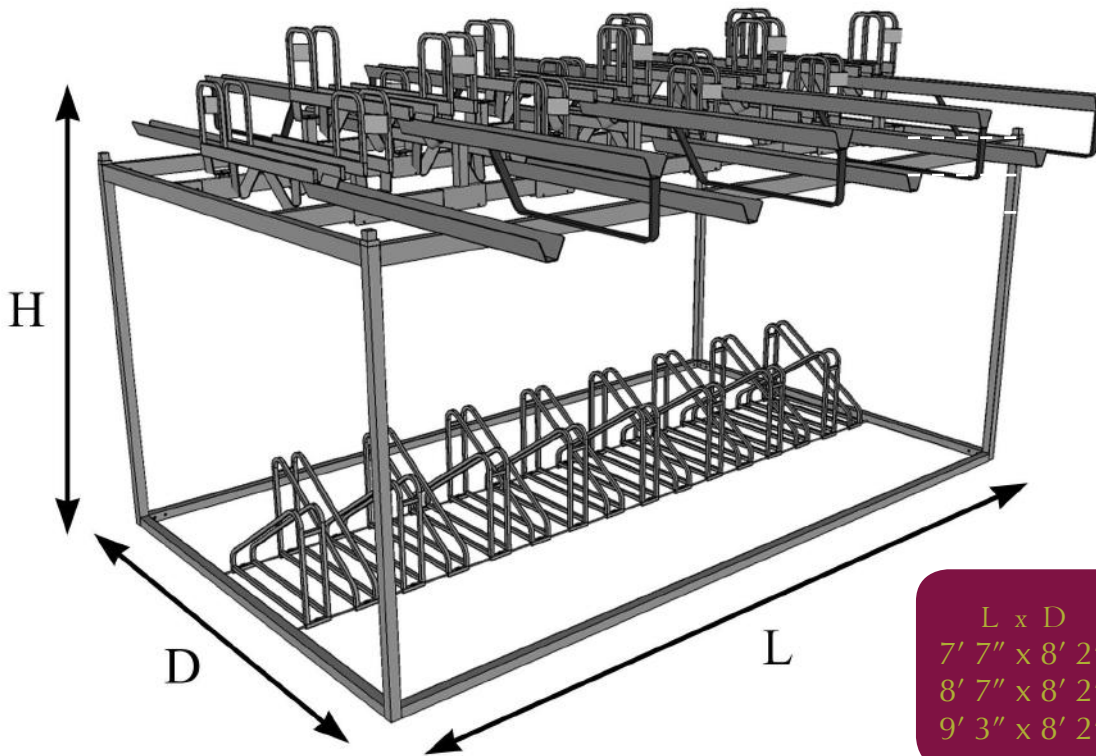
The Island Double Decker is not compatible with the Deluxe Spacesaver

Modular sections let you create the display to fit your store

**Starter:** a stand alone unit

**Add-on:** hooks into a starter unit expanding horizontally

**3rd tier:** requires 13'6" ceiling expands vertically



L x D	
7' 7" x 8' 2"	----- 6 or 12 bike
8' 7" x 8' 2"	----- 7 or 14 bike
9' 3" x 8' 2"	----- 8 or 16 bike

Minimum Ceiling Requirement is 8'6"

Trays alternate high and low







kid's straight forward

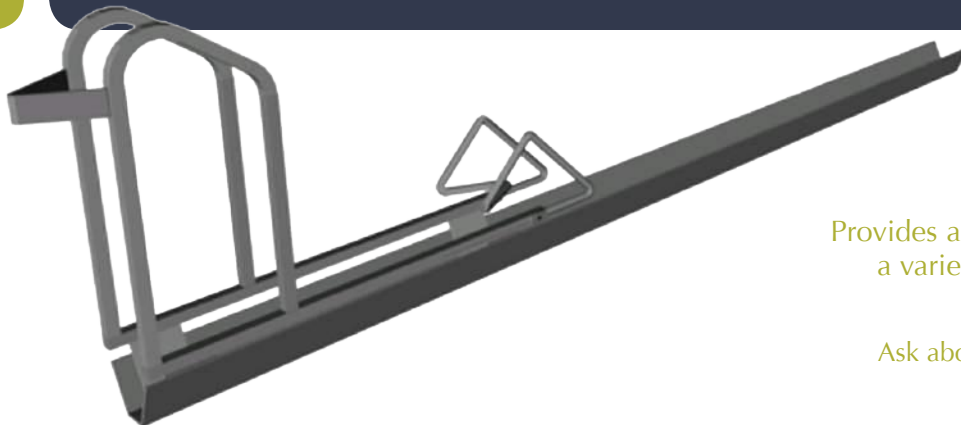
Smaller version of the Straight Forward (pages 4 & 5)

Height adjustable

Accommodates 12", 16" and 20" bikes

Adjustable to angle at 30 degrees either facing left or right

Optional Helmet Display available for additional cost

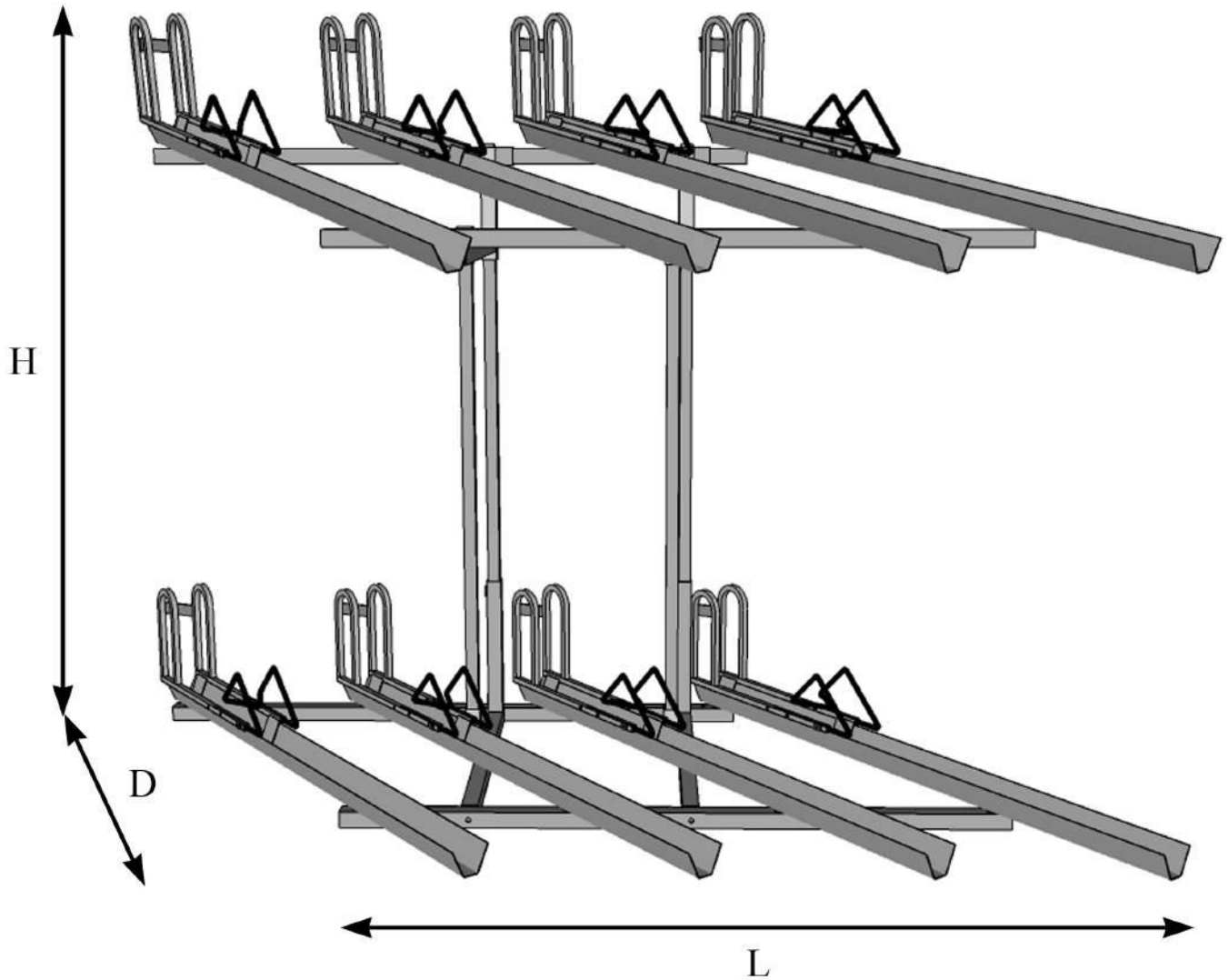


Provides an adjustable catch to fit a variety of kid's bike sizes

Ask about Sign Holders | \$10.00

L x D x H	bikes	2-tier
6'10" x 3' 7" x 5' 2"	8 bike   4 bikes per tier	\$ 795.00
9' 6" x 3' 7" x 5' 2"	12 bike   6 bikes per tier	\$ 995.00
12'2" x 3' 7" x 5' 2"	16 bike   8 bikes per tier	\$1195.00
Helmet Addition   8 bike holds 4 helmets		\$ 75.00
Helmet Addition   12 bike holds 6 helmets		\$ 95.00
Helmet Addition   16 bike holds 8 helmets		\$ 115.00

Minimum Ceiling Requirement is 7'



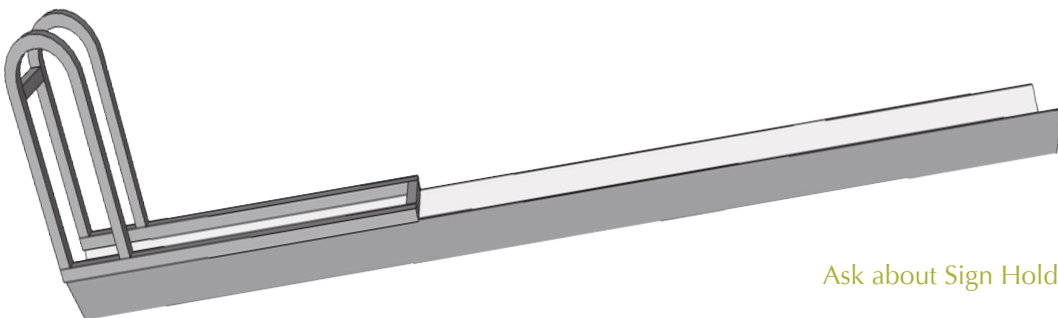


kid's wall double decker

Trays lie flat on the frame

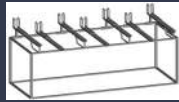
Freestanding Wall Format (bikes face one direction)

Accommodates a variety of kid's bikes



Ask about Sign Holders | \$10.00





Trays on 2nd tier only

bikes	starter	add-on	3rd tier
7 bike	\$ 634.00	\$ 559.00	\$ 559.00
8 bike	\$ 724.00	\$ 649.00	\$ 649.00
9 bike	\$ 817.00	\$ 742.00	\$ 742.00



Trays on both tiers

14 bike	\$ 983.00	\$ 908.00	\$ 559.00
16 bike	\$ 1031.00	\$ 956.00	\$ 649.00
18 bike	\$ 1198.00	\$ 1123.00	\$ 742.00

L x D

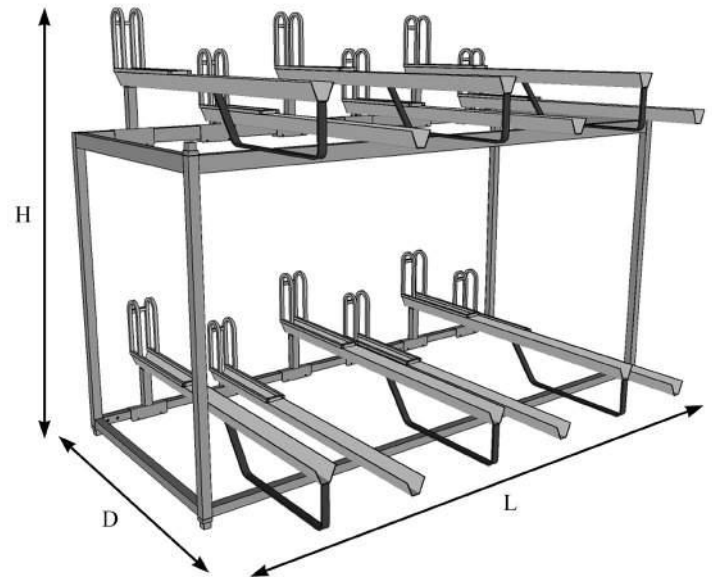
7' 7" x 4' 6"	-----	7 or 14 bike
8' 7" x 4' 6"	-----	8 or 16 bike
9' 3" x 4' 6"	-----	9 or 18 bike

Modular sections let you create the display to fit your store

**Starter:** a stand alone unit

**Add-on:** hooks into a starter unit expanding horizontally

**3rd tier:** requires 13'6" ceiling expands vertically



Minimum Ceiling Requirement is 8'0"







kid's bike tower

Adjustable width & height

Available in 5, 6 or 7 bike configurations

Bikes face one direction

Multiple configurations provide display versatility

Rack will hold 20" bikes on floor level, 12" and 16" bikes on 2nd tier and 12" bike in crown



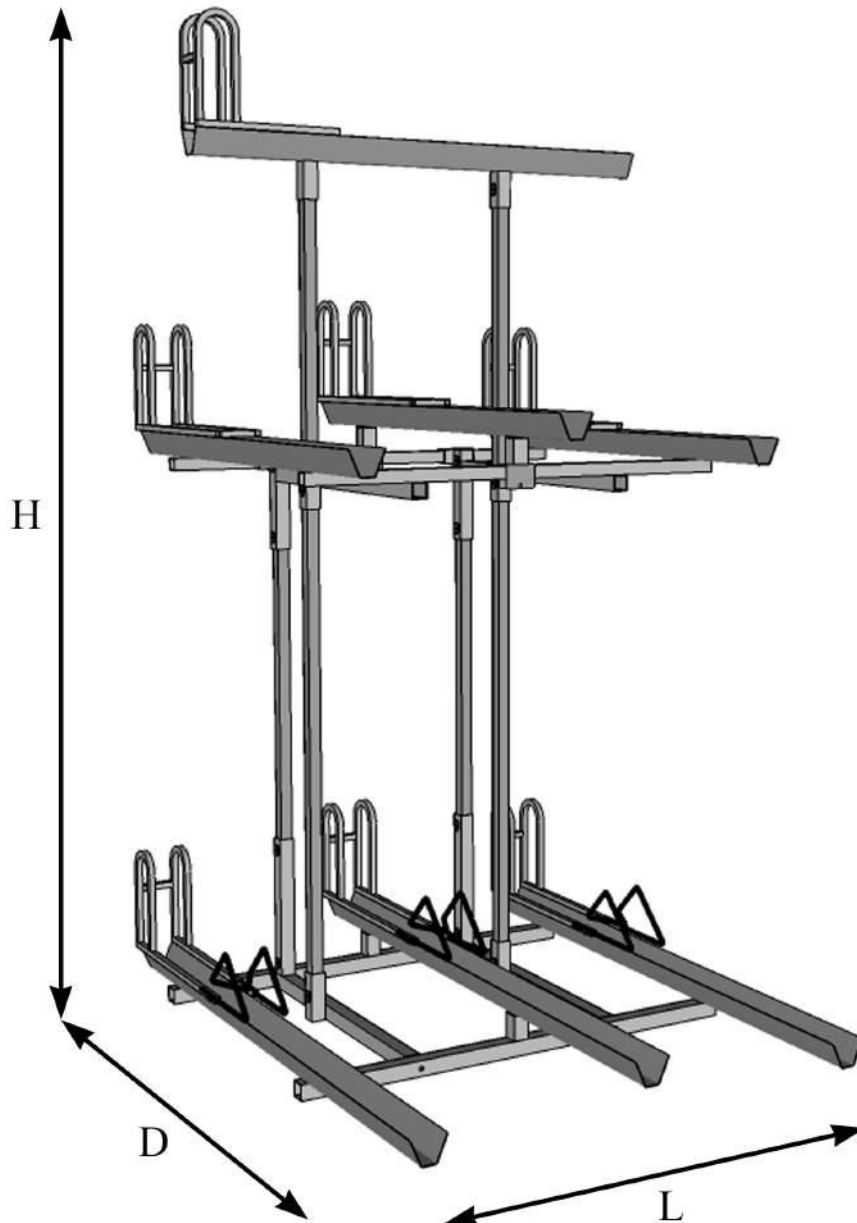
5 bike with optional crown  
(2 small helmet displays & 1 large helmet display) pictured

L x D x H		
3' 4" x 4' 2" x 4'10"	5 bike	\$ 540.00
3' 4" x 4' 2" x 4'10"	6 bike	\$ 590.00

OPTIONAL:  
requires 8' 3" ceiling

Crown for third tier	\$ 50.00
Additional tray	\$ 50.00
Helmet Display (small)	\$ 14.00
Helmet Display (large)	\$ 18.00

5 bike (3 on bottom tier & 2 on second tier)  
6 bike (3 on bottom tier & 3 on second tier)







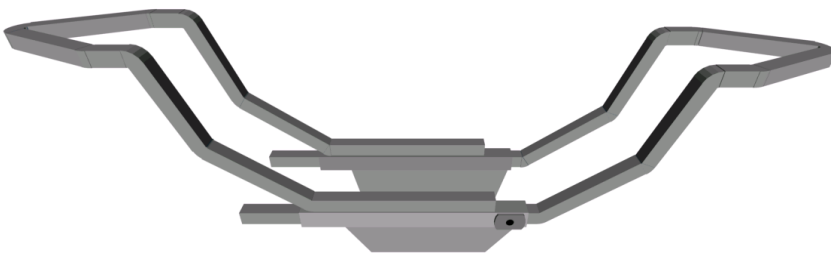
any angle adjustable  
stand up

Adjustable angle

Cradles have an adjustable width

Accommodates standard mountain, hybrid and road bike tires

New sturdier structure



The amount of bikes this rack will hold is just a suggestion. Quantity may vary upon bikes being used in the rack.

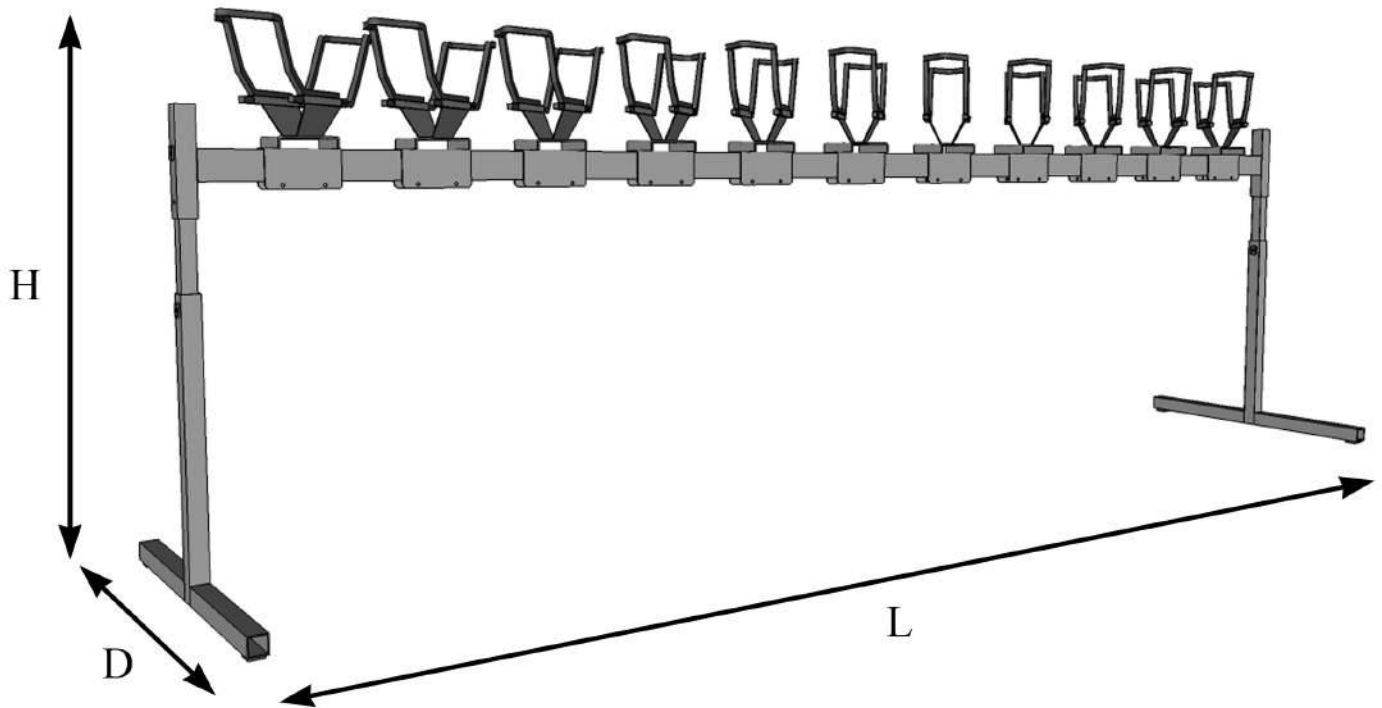
L x D x H		wall format	
		starter	add-on
7' 7" x 2' 1" x 2' 3" - 3' 6"	6 bike	\$330.00	\$298.00
8' 2" x 2' 1" x 2' 3" - 3' 6"	7 bike	\$361.00	\$336.00
9' 3" x 2' 1" x 2' 3" - 3' 6"	8 bike	\$405.00	\$373.00

L x D x H		island format	
		starter	add-on
7' 7" x 2' 1" x 2' 3" - 3' 6"	9 bike	\$426.00	\$402.00
8' 2" x 2' 1" x 2' 3" - 3' 6"	10 bike	\$471.00	\$437.00
9' 3" x 2' 1" x 2' 3" - 3' 6"	11 bike	\$508.00	\$475.00

Tag-a-Long (displays 4 tag-a-longs on the end)	---	\$ 57.00
Single Piggyback (displays 1 bike above the Stand Up)	---	\$ 47.00
Double Piggyback (displays 2 bikes above the Stand Up)	---	\$ 97.00

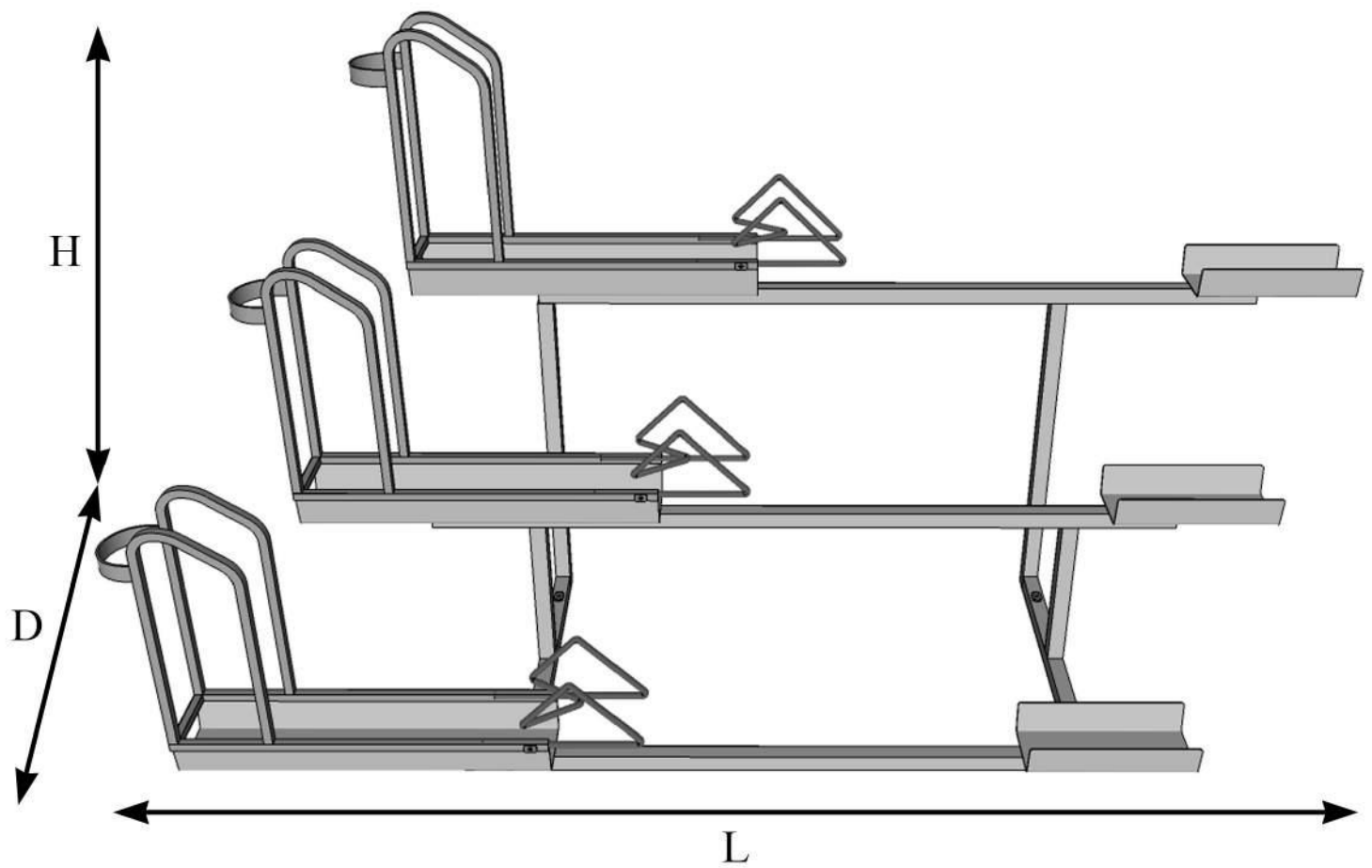
}
**Wall Format:** bikes are displayed on one side
 }  
**Island Format:** bikes are displayed on both sides

any angle adjustable stand up



Minimum ceiling requirement for piggyback is 8' 0"  
Tag-a-Longs and Piggybacks not pictured





fat tire highlighter

L x D  
5' 6" x 4' 0" - 6' 0"

\$330.00

Handlebars are off-set

Adjustable rack width and height

New Fat Tire Highlighter accommodates up to 4.0 size tires

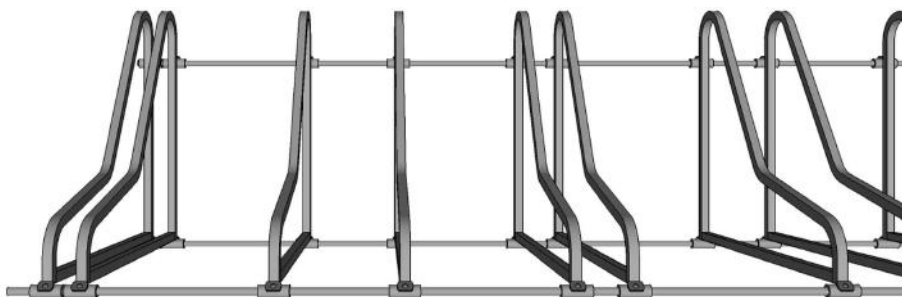
Ask about an option for 5.0 size tires

Add casters to any highlighter for an additional \$30.00



deluxe spacesaver

Compatible with the wall double decker and sloped double decker racking  
Will hold fat bikes, 29ers, mountain, hybrid and road bikes  
New design allows for clearance of bmx pegs and derailleurs  
Completely adjustable spacing between bikes

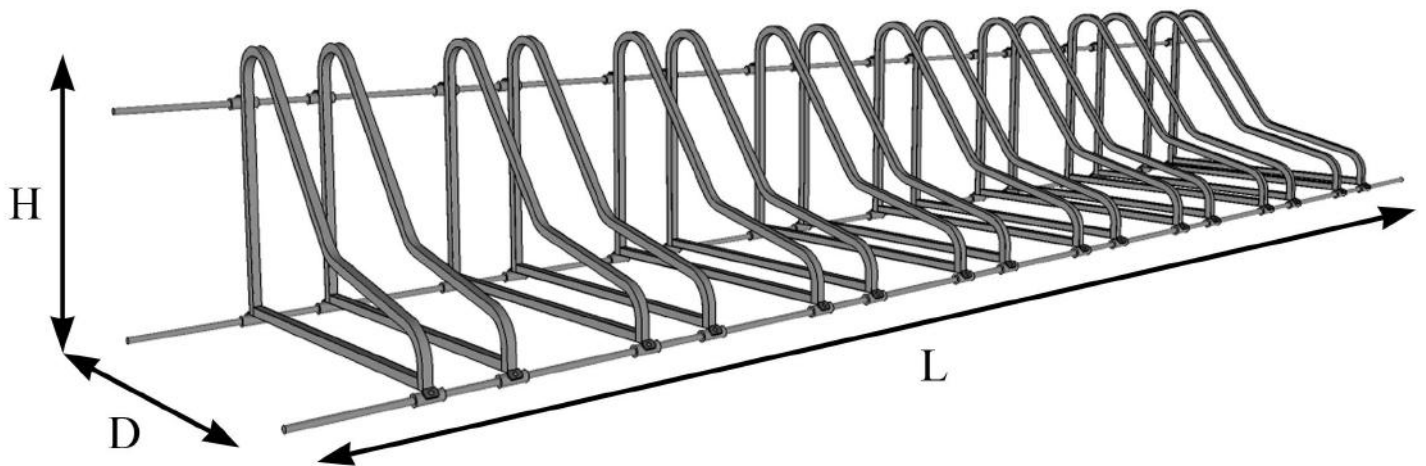


The amount of bikes this rack will hold is just a suggestion. Quantity may vary upon bikes being used in the rack.

L x D x H		
2' 7" x 1' 8" x 1' 3"	3 bike	\$ 165.00
3' 10" x 1' 8" x 1' 3"	4 bike	\$ 208.00
5' 0" x 1' 8" x 1' 3"	5 bike	\$ 251.00
6' 3" x 1' 8" x 1' 3"	6 bike	\$ 294.00
7' 5" x 1' 8" x 1' 3"	7 bike	\$ 337.00
8' 11" x 1' 8" x 1' 3"	8 bike	\$ 380.00

**CREATE YOUR OWN LENGTH:**

\$43.00 per stanchion  
\$36.00 for set of runners



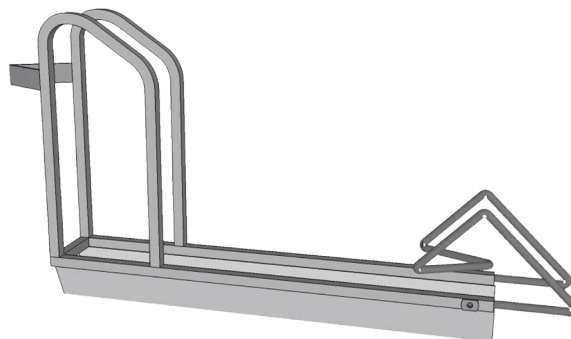


*photo courtesy of Sprocketz Bike Shop  
Weston, WI*



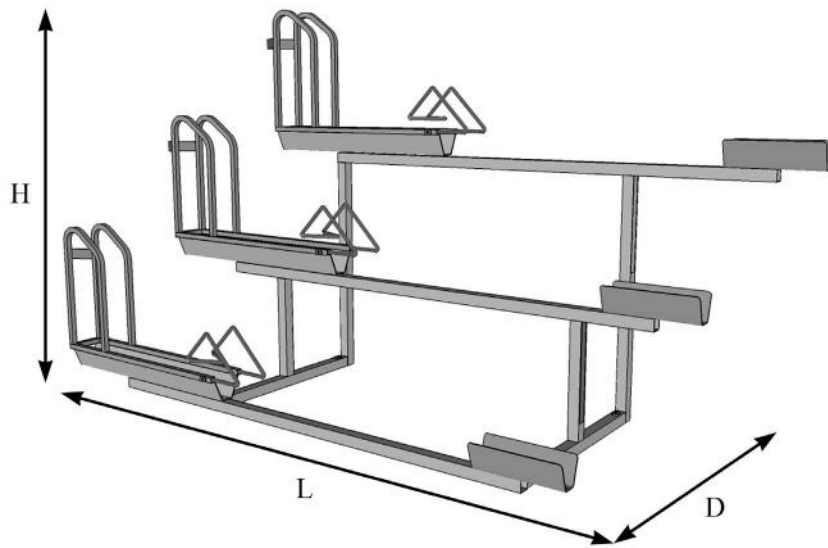
3 bike highlighter

Handlebars are off-set  
Adjustable rack width and height  
BMX Highlighter accommodates 20" to adult

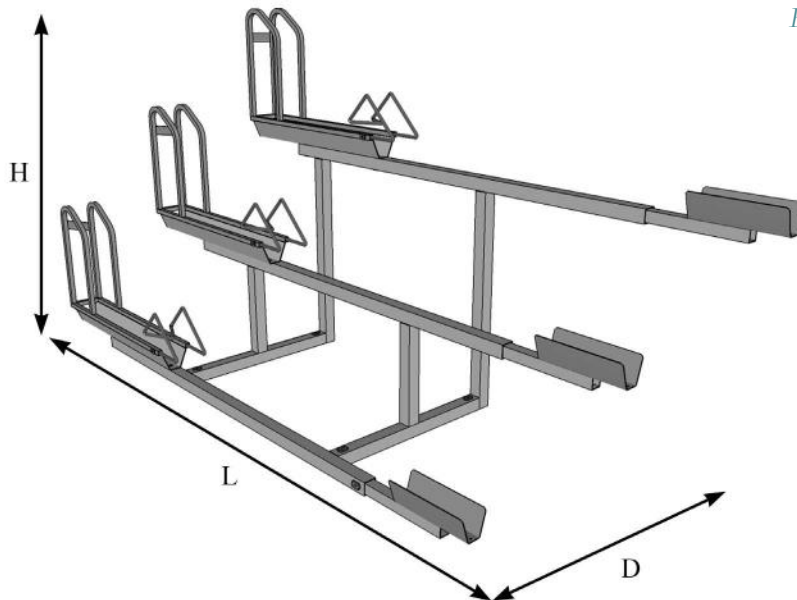


L x D x H	
6' 1" x 2' 0"-3' 0" x 3' 1"	\$255.00
6' 1" x 2' 0"-3' 0" x 3' 1"	\$255.00 --- BMX
6' 5"- 6'10"x 1'11"- 3' 1" x 3' 2"-3' 8"	\$320.00 --- E-bike

Add casters for an additional \$30.00 | Casters will add 2 1/2"  
 Height measurement is in its lowest setting



*E-bike highlighter pictured*



BMX Highlighters have an extra 6" added on the front tray to accommodate the smaller frame size





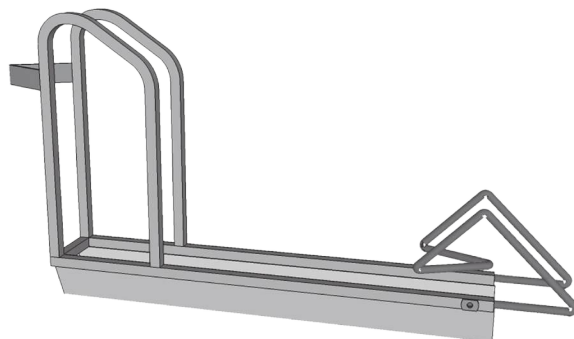


5 bike highlighter

Handlebars are off-set

Adjustable rack width and height

New BMX Highlighter accommodates 20" to adult





L x D x H

7' x 3' 5" - 5' 5" x 5'

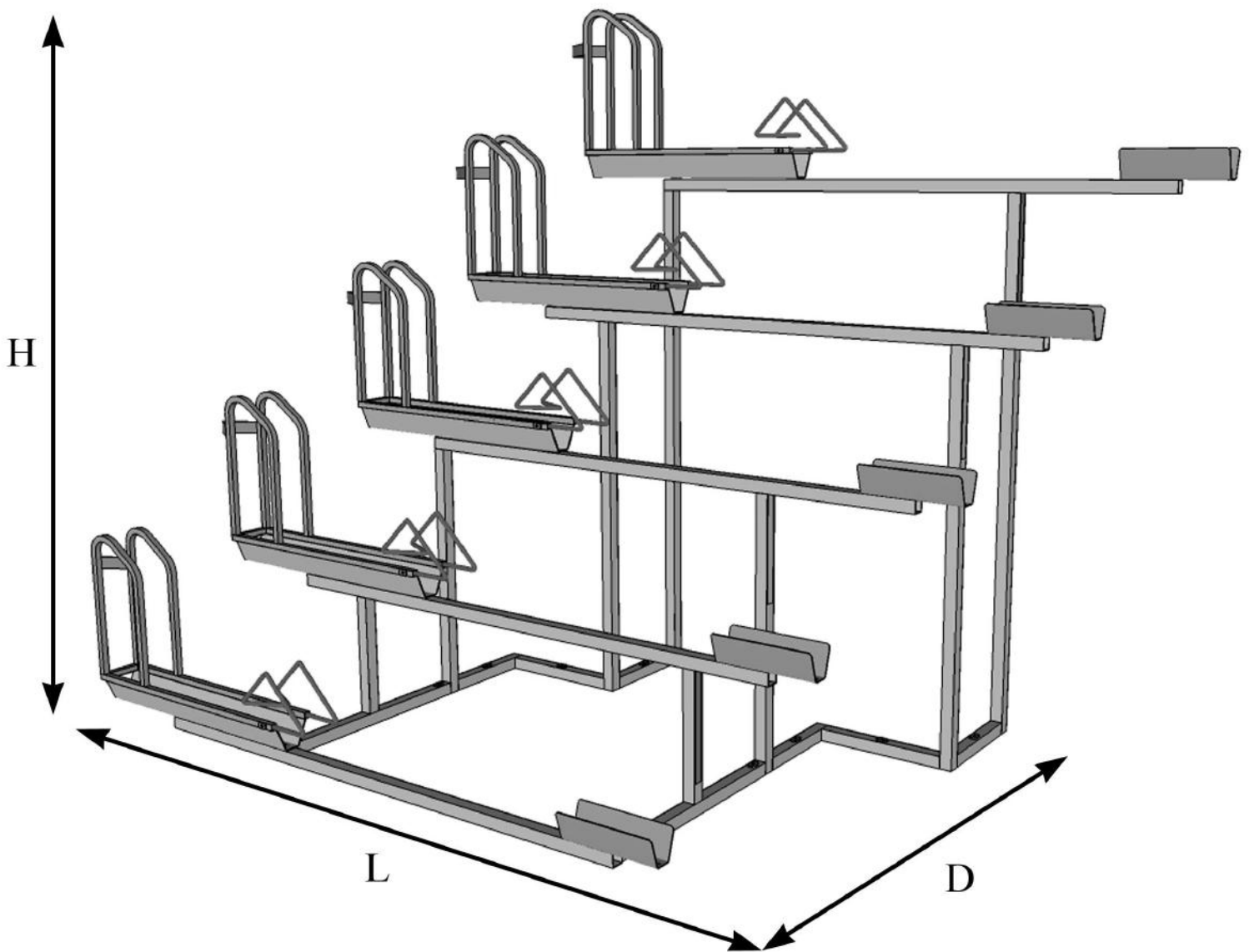
\$515.00

7' x 3' 5" - 5' 5" x 5'

\$515.00 --- BMX

Add casters for an additional \$30.00 | Casters will add 2 1/2"

Height measurement is in its lowest setting



BMX Highlighters have an extra 6" added on the front tray to accommodate the smaller frame size



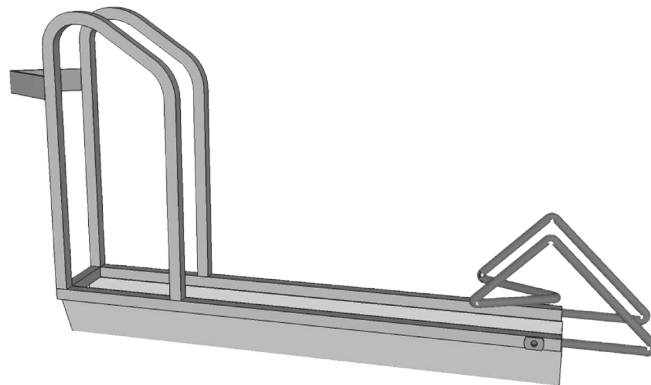


double highlighter

Handlebars are off-set

Adjustable rack width and height

New BMX Highlighter accommodates 20" to adult



L x D x H

6' 1" x 3' 5" - 5' 5" x 3' 1"

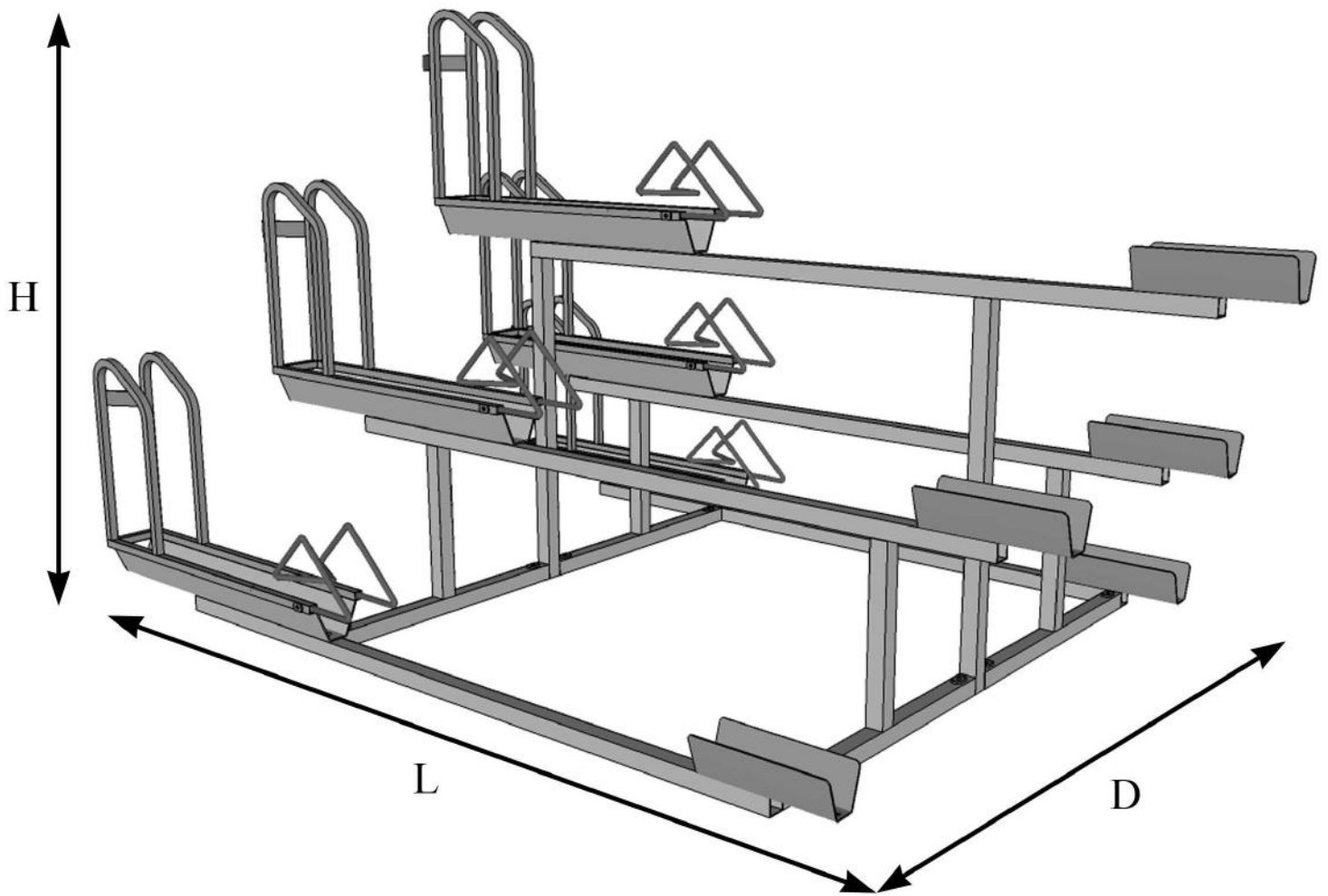
\$440.00

6' 1" x 3' 5" - 5' 5" x 3' 1"

\$440.00 --- BMX

Add casters for an additional \$30.00 | Casters will add 2 1/2"

Height measurement is in its lowest setting



BMX Highlighters have an extra 6" added on the front tray to accommodate the smaller frame size





Displays four tag-a-longs in a semi-circle around the back side of the Cart Tower



*pictured with Tag-A-Long attachment*

tag-a-long attachment for cart tower

cart tower

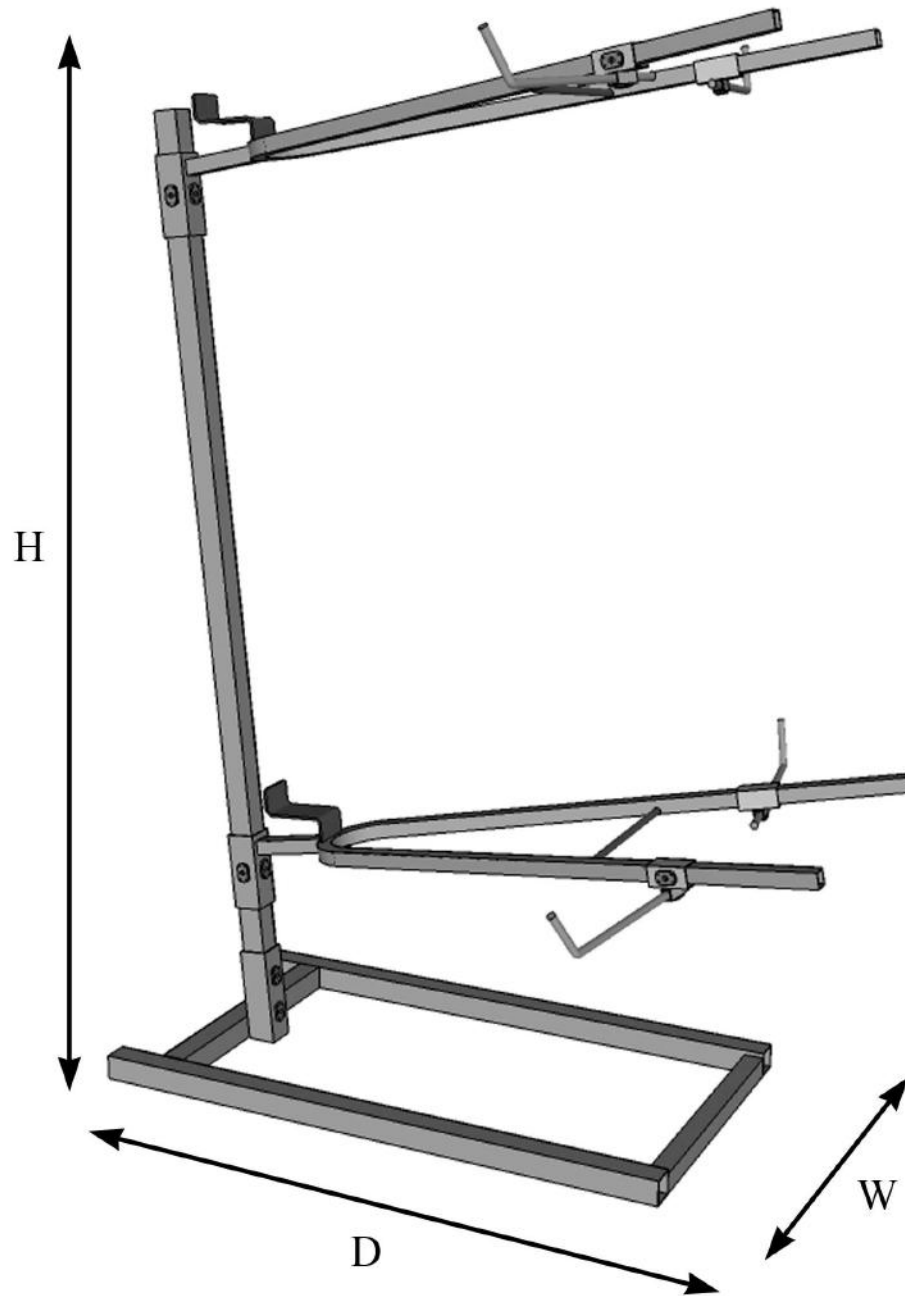
Displays 2-3 carts in a tiered format  
 Available in 2 or 3 tier versions  
 Adjustable height



Optional Tag-A-Long attachment available

L x D x H		
3' 0" x 3' 6" x 4' 0"	2 cart - -2 tier	\$185.00
3' 0" x 3' 6" x 6' 8"	3 cart - -3 tier	\$265.00
Cart Tower Tag-a-long Attachment		\$ 30.00

Minimum ceiling requirement is 8'5"







recumbent trike

Displays 3 trikes in the space of 1

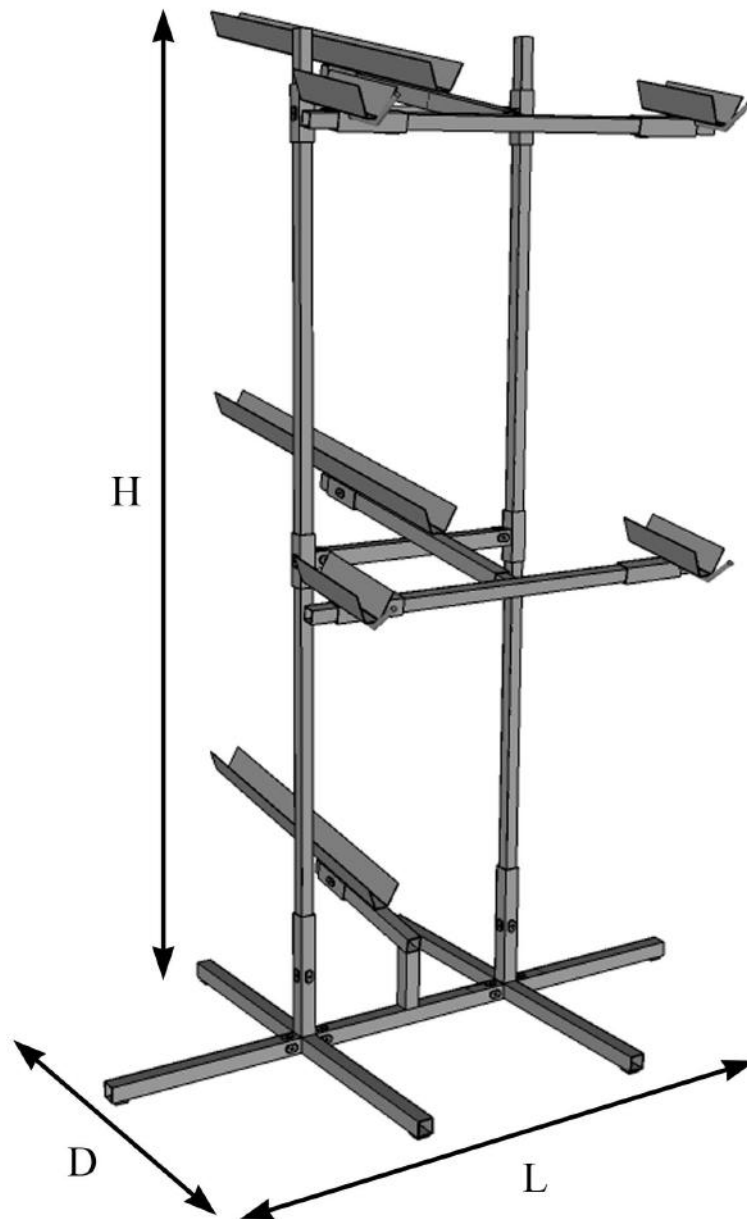
Completely adjustable to accommodate different wheel bases

Triple your storage capacity while maximizing your vertical space





L x D x H  
5' 6" x up to 5' 0" x 7' 0" 3 trike display --- \$470.00





line up rack

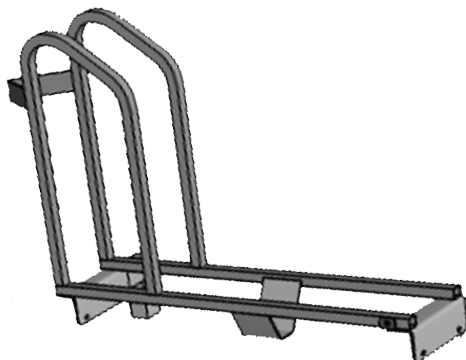
Accommodates standard mountain, hybrid and road

Completely adjustable spacing between bikes

Individual stands clamp onto floor rails for ease of set-up

Bike is held in place using gravity and a tray catch

Will not work under tiered racking



L x D x H  
 6' 3" x 1' 8" x 1' 3"  
 7' 5" x 1' 8" x 1' 3"  
 8' 11" x 1' 8" x 1' 3"

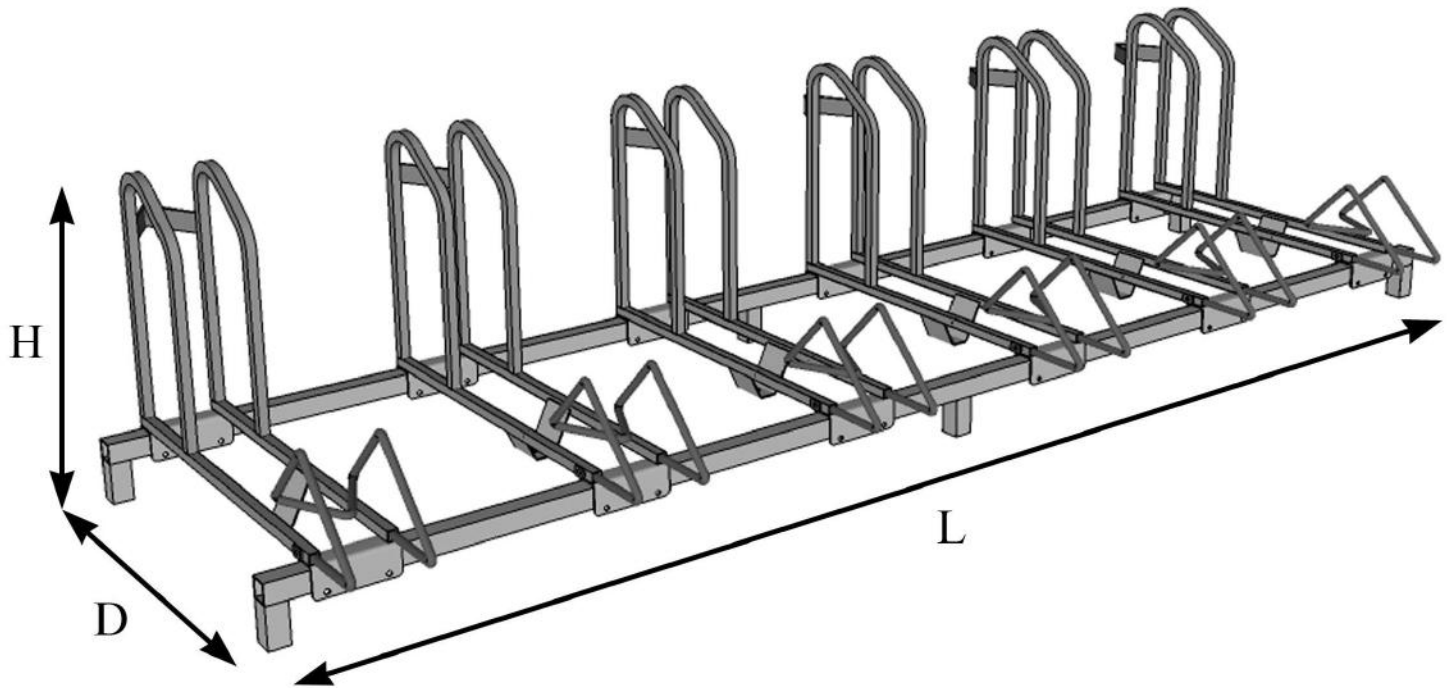
Wall Format:  
 6 bike \$ 320.00  
 7 bike \$ 372.00  
 8 bike \$ 424.00

L x D x H  
 6' 3" x 1' 8" x 1' 3"  
 7' 5" x 1' 8" x 1' 3"  
 8' 11" x 1' 8" x 1' 3"

Island Format:  
 11 bike \$ 560.00  
 13 bike \$ 660.00  
 15 bike \$ 760.00



**Wall Format:** bikes are displayed on one side  
**Island Format:** bikes are displayed on both sides







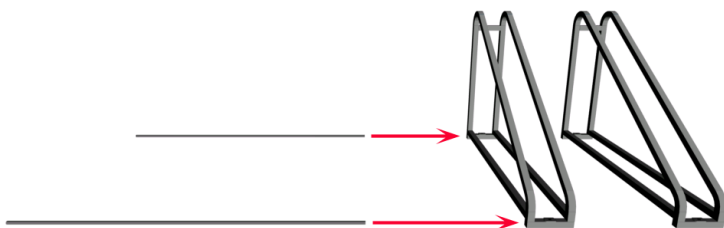
*Wall Format pictured*

adjustable spacesaver

- Individual stanchions slide onto runners
- Completely adjustable spacing between bikes
- Stanchions allow adjustable spacing
- Stanchion width is 2-1/4"

*Build your own Spacesaver*

\$38.00 per stanchion — — — — \$24.00 for a pair of runners



The amount of bikes this rack will hold is just a suggestion. Quantity may vary upon bikes being used in the rack.

Please contact us with any questions you have.

L x D x H	Wall Format
2' 7" x 1' 8" x 1' 3"	3 bike --- \$ 138.00
3' 10" x 1' 8" x 1' 3"	4 bike --- \$ 176.00
5' 0" x 1' 8" x 1' 3"	5 bike --- \$ 214.00
6' 3" x 1' 8" x 1' 3"	6 bike --- \$ 252.00
7' 5" x 1' 8" x 1' 3"	7 bike --- \$ 290.00
8' 11" x 1' 8" x 1' 3"	8 bike --- \$ 328.00

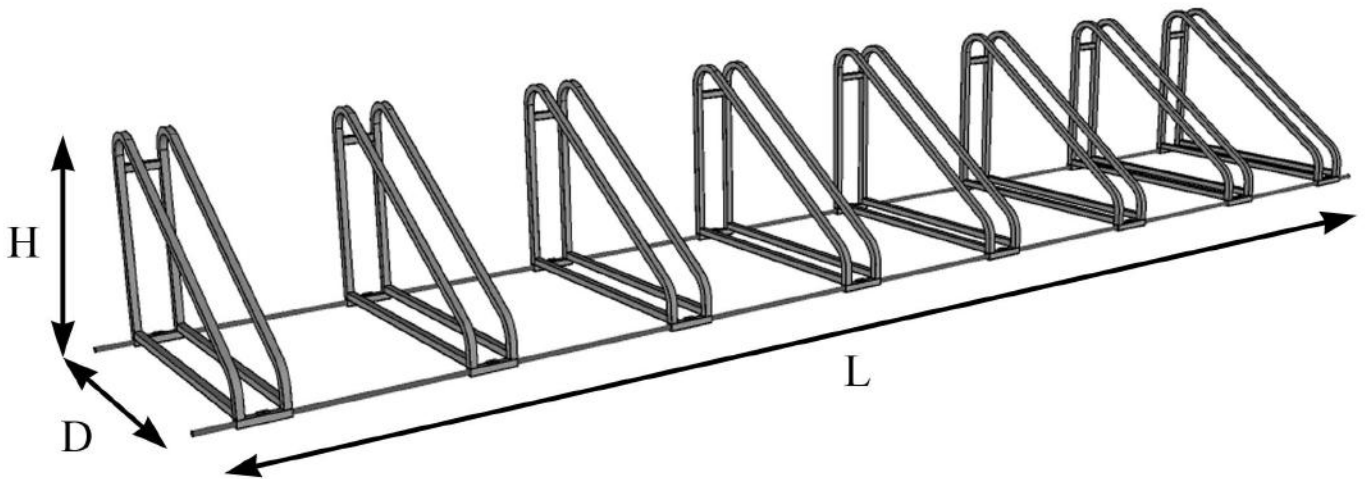
L x D x H	Island Format
2' 7" x 1' 8" x 1' 3"	5 bike --- \$ 214.00
3' 10" x 1' 8" x 1' 3"	7 bike --- \$ 290.00
5' 0" x 1' 8" x 1' 3"	9 bike --- \$ 366.00
6' 3" x 1' 8" x 1' 3"	11 bike --- \$ 442.00
7' 5" x 1' 8" x 1' 3"	13 bike --- \$ 518.00
8' 11" x 1' 8" x 1' 3"	15 bike --- \$ 594.00

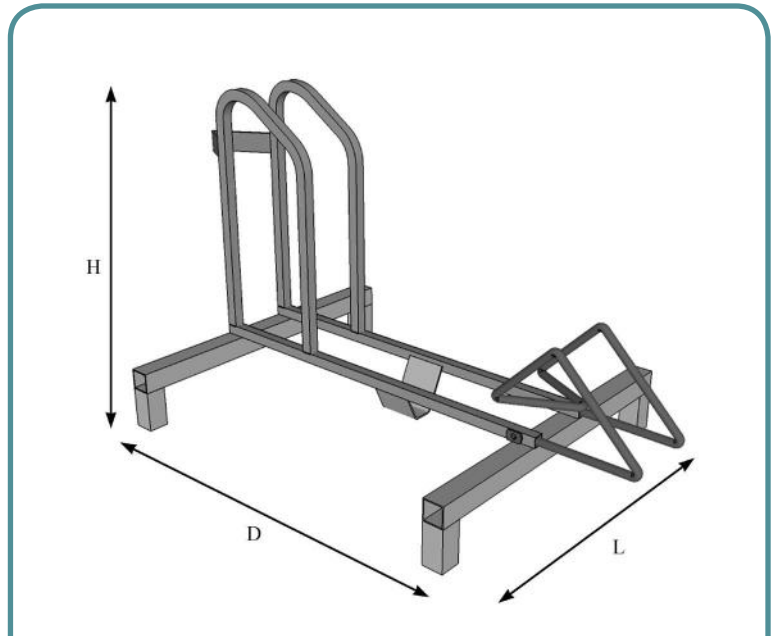


**Wall Format:** bikes are displayed on one side  
**Island Format:** bikes are displayed on both sides



*Wall Format pictured*





L x D x H  
 1' 4" x 1' 8" x 1' 6"  
 displays 1 bike      \$ 55.00

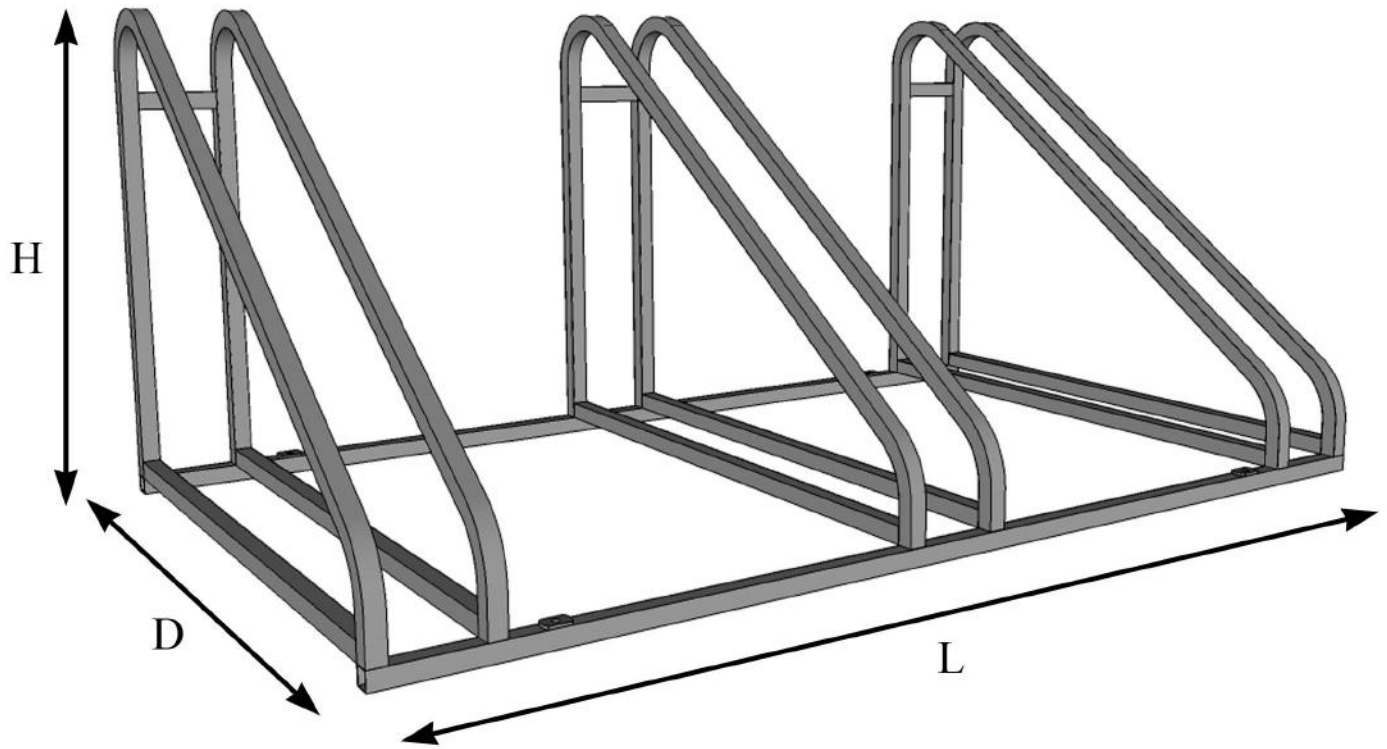
single bike display

Accommodates standard mountain, hybrid, road and 29er tires  
 Ample legs ensure that bike will not tip over  
 Steel construction ensures durability



Includes 1 adjustable tray catch to accommodate the tire sizes listed above





*3 bike pictured*

partner

Stanchions are 2-1/2" wide

Steel crafting makes this durable and portable

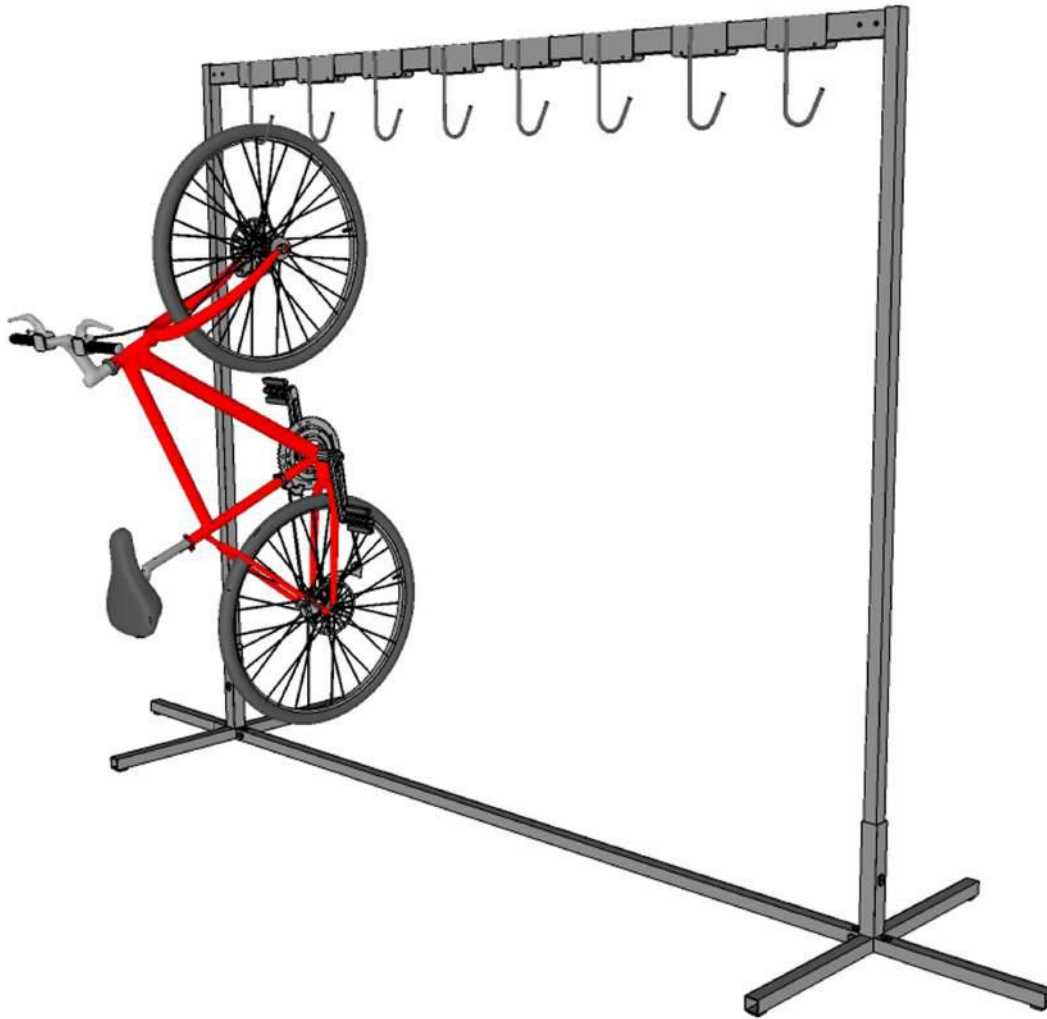
Fixed spacing at 14 inches between bikes

L x D			
3' 6"	x 1' 8"	3 bike	\$ 138.00
4' 9"	x 1' 8"	4 bike	\$ 176.00

No assembly required

Shipping this item is approximately  
\$50.00 per unit due to its size



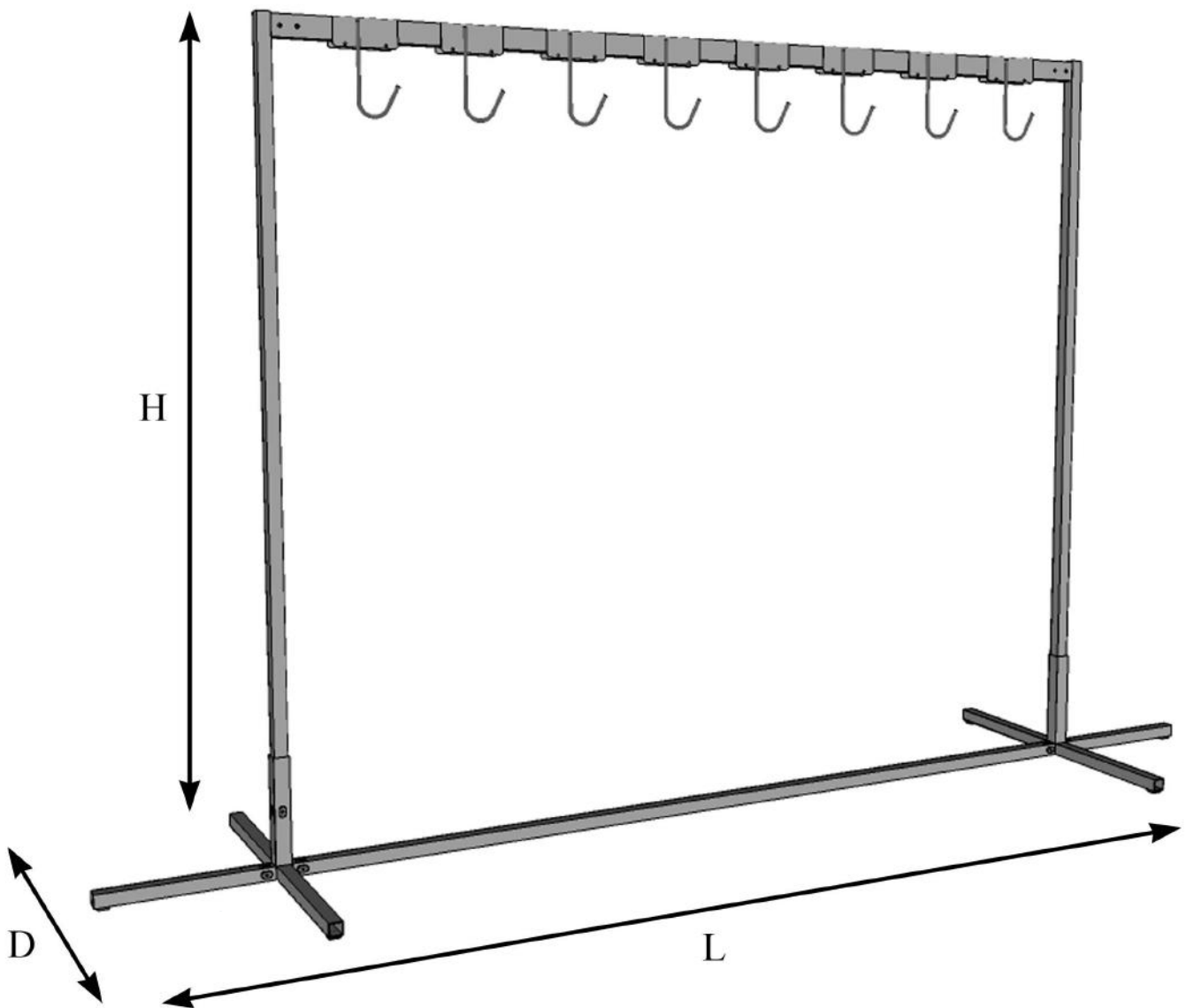


backroom storage

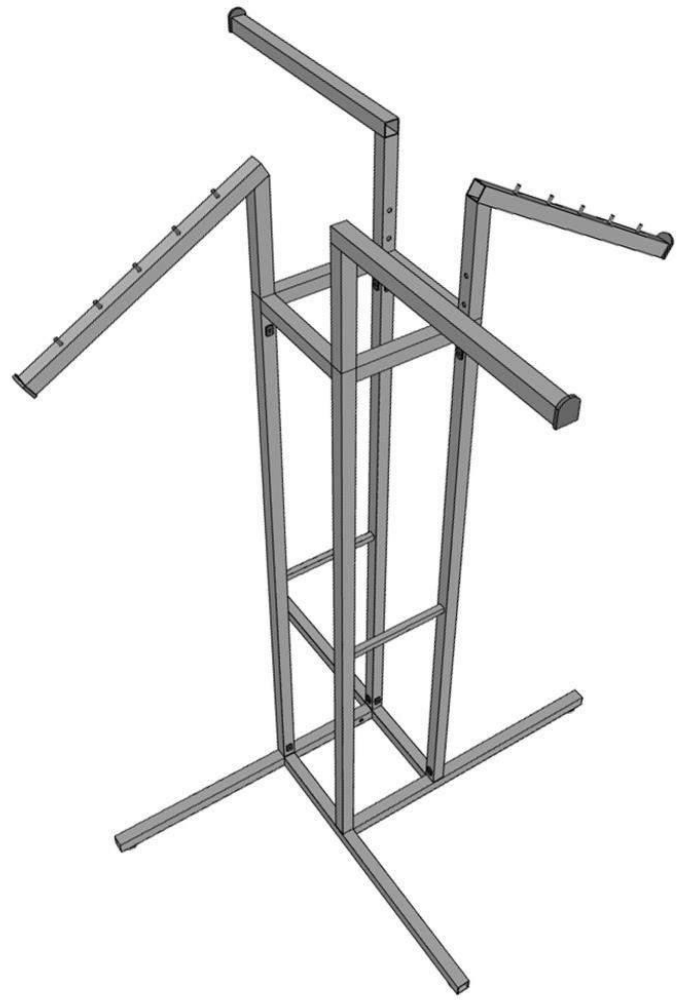
- Inexpensive way to organize repair bikes
- Coated hooks prevent damage to bike tires
- Hooks can slide on rail, allowing easy access to bikes
- Optional casters and add-on sections allow customization
- Now accommodates 29ers

L x D x H			
8' 2" x 2' 9" x 6' 11"	8 bike starter	---	\$350.00
8' 2" x 2' 9" x 6' 11"	8 bike add-on	---	\$325.00
Optional Locking Casters			\$ 30.00
Casters will add 2 1/2"			

backroom storage







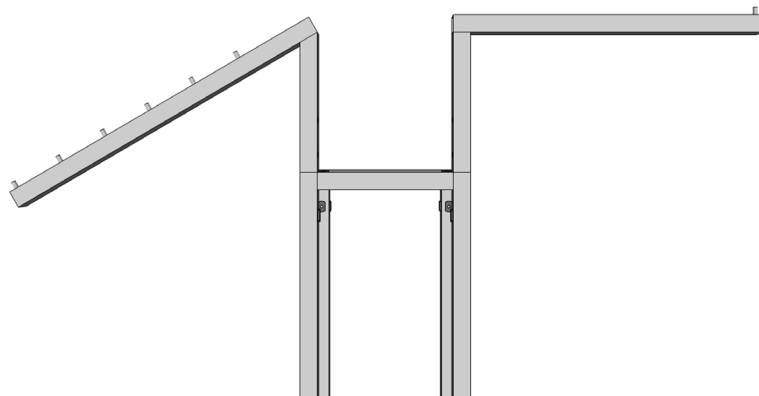
multi rack

Displays clothing

Sturdy steel construction

Casters or levelers available

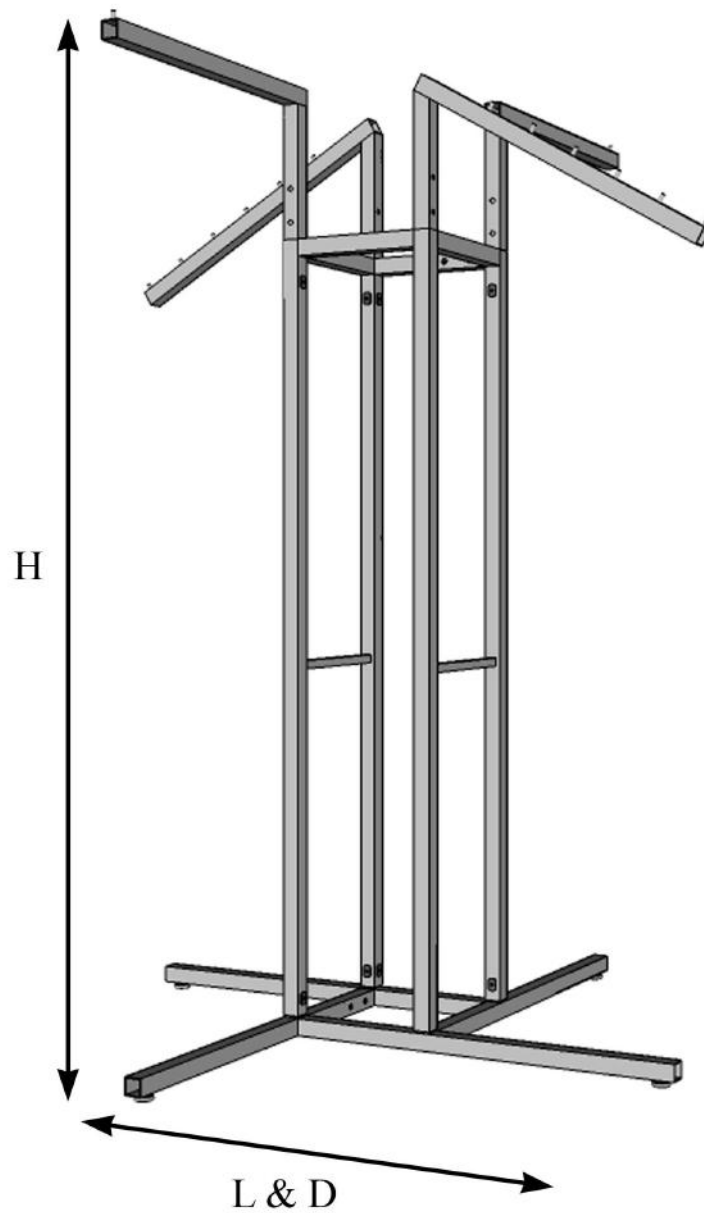
Powder coated to match Rudy Rack bike racks



L x D x H  
3' 8" x 3' 8" x 4' 9"

4 arm clothing rack \$ 250.00

multi rack





*thread into pre-tapped holes*

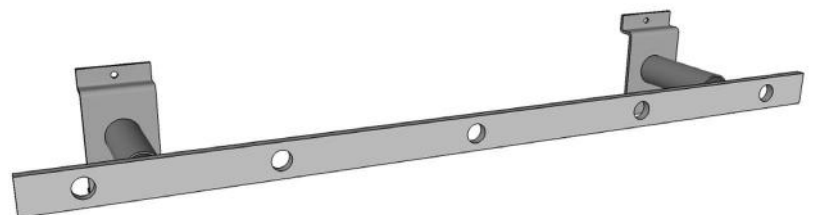
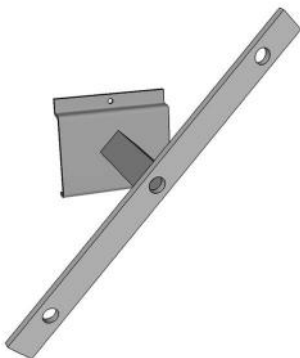
adjustable pedal

3 Pedal | \$35.00

5 Pedal | \$65.00

Available in slat wall, plain wall and gridwall

Customization is available





single display | \$20.00

Available in slat wall, plain wall and gridwall

Customization is available

*displays at an angle*

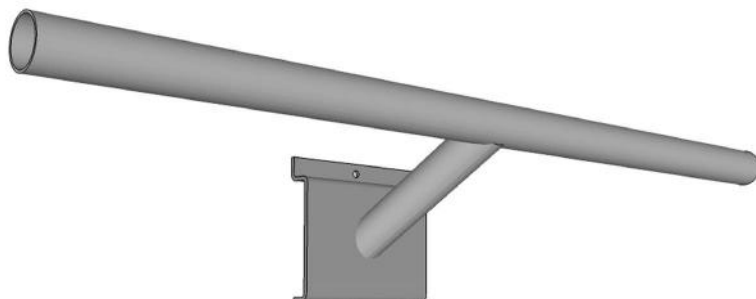




accessory display

\$26.00

Available in slat wall, plain wall and gridwall  
Customization is available



single display | \$16.00

Available in slat wall, plain wall and gridwall  
Customization is available

*displays at an angle*







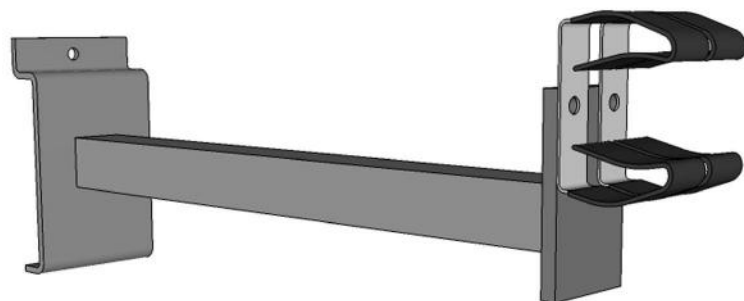
handlebar display

single display | \$18.00

triple display | \$32.00

Available in slat wall, plain wall and gridwall

Customization is available



single display | \$21.00

Available in slat wall, plain wall and gridwall

Customization is available

*angles down 45 degrees*





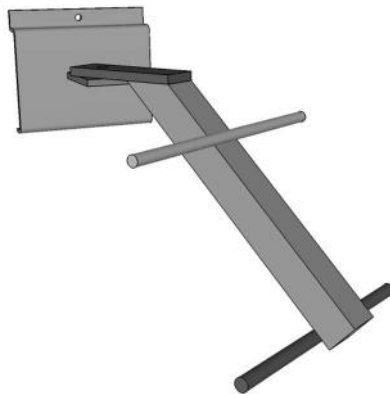
*angles down 45 degrees*

frame display

single frame display | \$60.00

Available in slat wall, plain wall and gridwall

Customization is available





displays two wheels | \$30.00

Available in slat wall, plain wall and gridwall

Customization is available

*staggered setting*





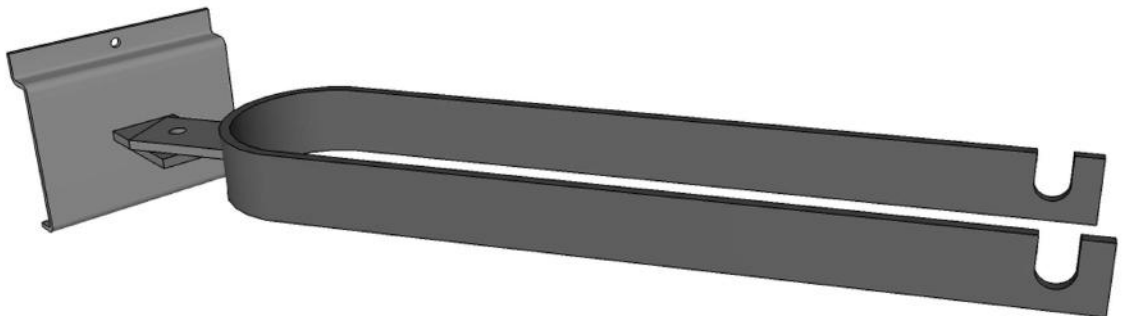
*pivots side to side*

adjustable wheel

single display | \$26.00

Available in slat wall, plain wall and gridwall

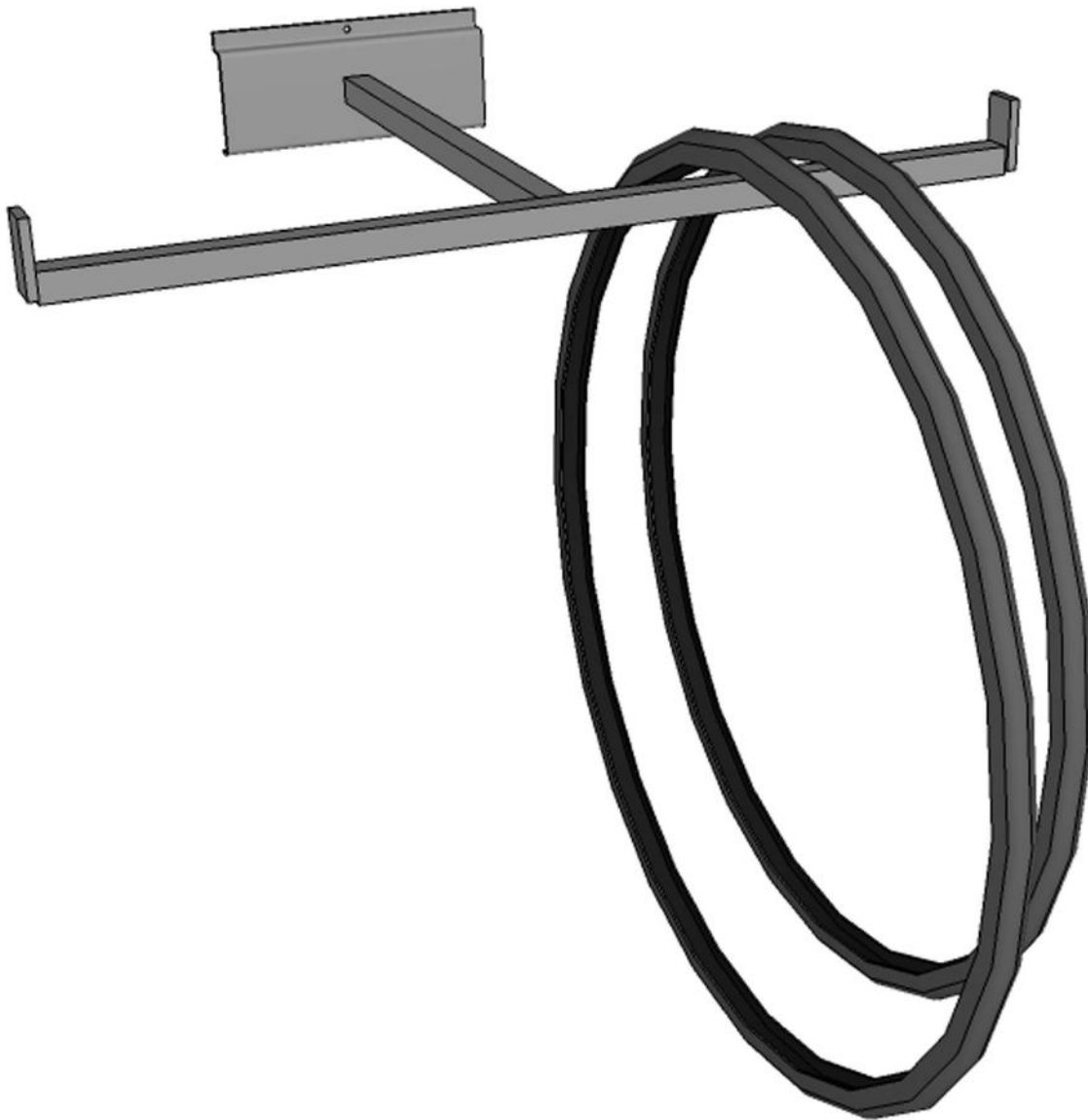
Customization is available



\$30.00

Available in slat wall, plain wall and gridwall  
Customization is available

*holds 10 - 12 bike tires*





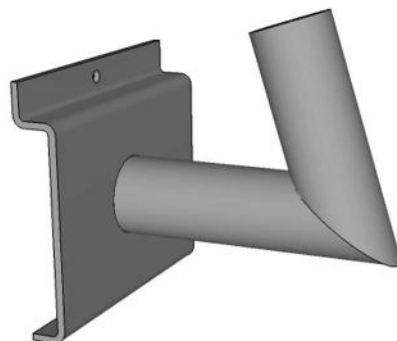


*provides an adjustable angle*

stem display

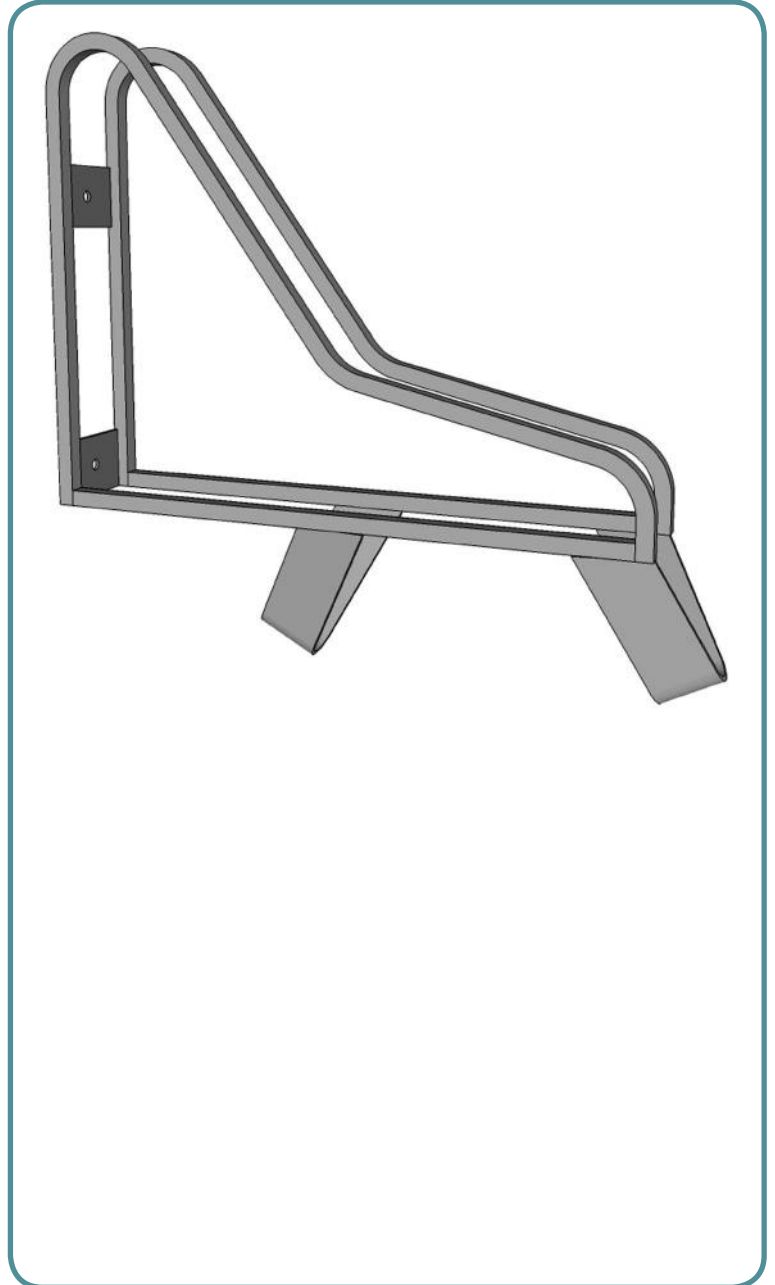
single display | \$20.00

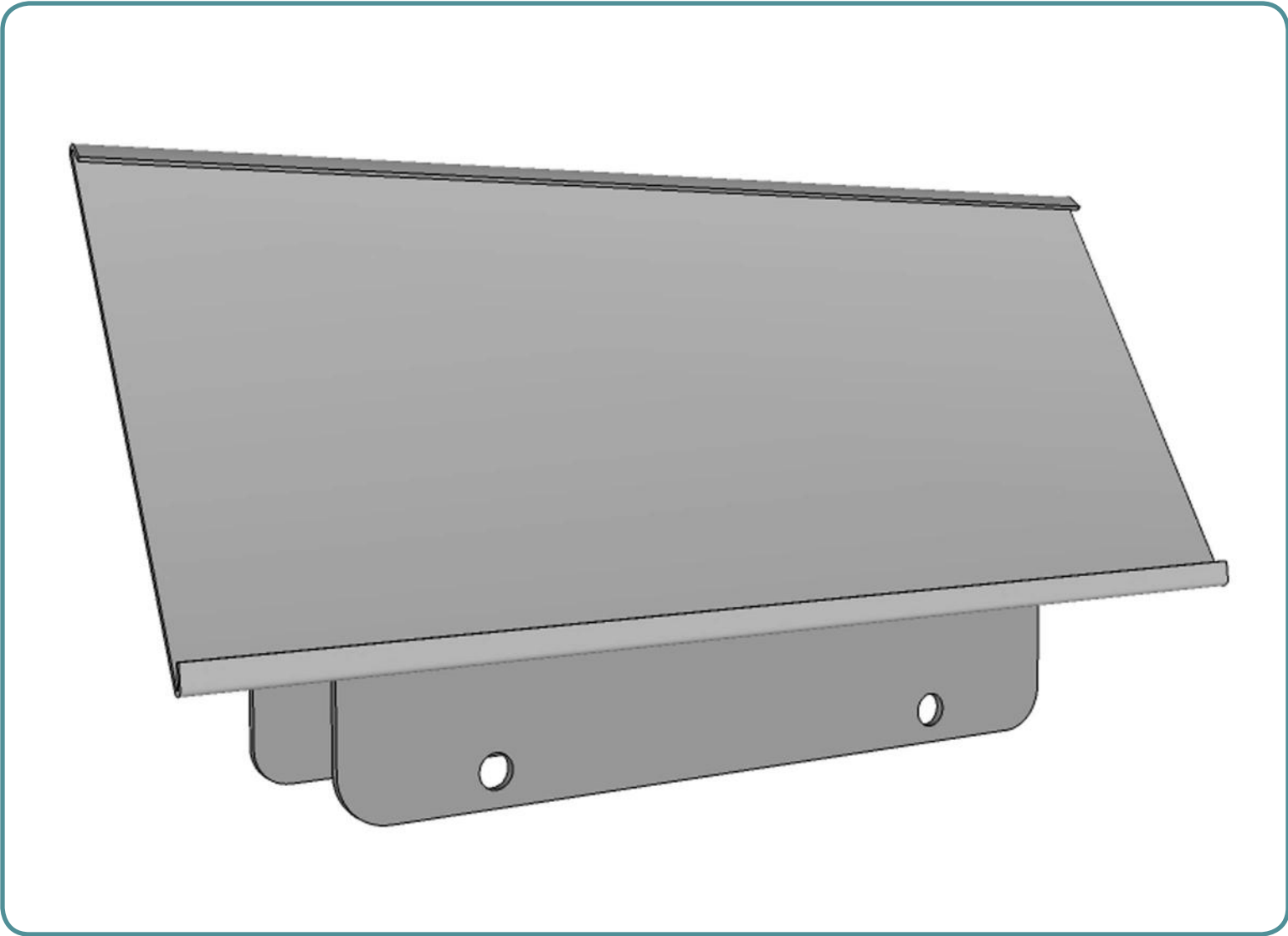
Available in slat wall, plain wall and gridwall  
Customization is available



\$55.00

innovative design holds tire sizes from road to 29ers  
2 3/4" wide to accommodate larger bike tires  
does not accommodate fenders  
bolts directly to a wall





sign holder

sign holder | \$10.00

Available for:  
straight forward racks, adult and kids  
double decker racks, adults and kids  
sloped double decker  
kid's bike tower

Print off your own sign

Accommodates 1/3 of a standard  
8 1/2" x 11" sheet of paper

Available on the same finish  
as the racks



